



RETRACTABLE POWER TOWER

FOR DISTRIBUTION
OF ENERGY AND SERVICES



RETRACTABLE POWER TOWER

THE COMPANY	04-05
INTRODUCTION	06-07
WHICH MODEL TO CHOOSE?	08
TECHNICAL DETAILS	09
GALLERY	10-11
TECHNICAL SHEET	12-49
VM01	12-13
VM01 F900	14-15
VM02 4040	16-17
VM02 5050	18-19
VM02 6060	20-21
VM02 6030	22-23
VM02 7050	24-25
VM03	26-27
VM04	28-29
VM05	30-31
VM06	32-33
VM07	34-35
VM08	36-37
FLOOR BOX 3030	38-39
FLOOR BOX 4040	40-41
FLOOR BOX 5050	42-43
FLY BOX	44-45
VM HOME	46-47
VM02 7040 WALL BOX	48-49
EQUIPMENT	52-65
PREPAID SYSTEM WITH CONTROL TOTEM	68-70
FINISHES	71

NEW VMR S.r.l.

is an Italian company, born with goal to provide innovative solutions to improve the quality of urban spaces, with an eye on respecting the environment by preferring ecofriendly materials and low environmental impact systems.

New VMR designs and manufactures smart systems for the distribution of services, complementing its proposal with sober and elegant designed urban furnishing accessories, using exclusively ecofriendly materials and high-quality stainless steel.



ABOUT US

New VMR S.r.l. proudly creates made in Italy products and is specialised in the manufacture of retractable power tower and bollard for the supply of electric power and complementary services. It's a strong dynamic and entirely Italian company that can boast its young team with a twenty-year experience in the sector and its high-quality products, always capable of meeting the clients' needs with tailor-made projects and designs.

The company was founded in 2003 in Cantù, Italy, from the collaboration of a young and dynamic staff and its desire to take a challenge; shortly after New VMR S.r.l. reached the global market and now is trying to go on even further in order to become a strong personality in the sector, renowned worldwide.

MISSION

The company's goal is to offer smart and consistent solutions to the canons of design and urban furniture that allows to respect the beauty of the landscape and the integrity of the architectural style of buildings, towns and historic city centres. That's not all: the company's products are designed by respecting the natural environment, choosing ecological and ecofriendly materials, resulting in to obtain the lowest environmental impact as possible. Moreover, the satisfaction of clients and partners is a key factor and a priority for the company; New VMR S.r.l. proves his commitment by offering flexibility and professionalism when it comes down to creating tailor-made products manufactured with high-quality materials of an elegant, sophisticated design.

FIVE REASONS TO CHOOSE NEW VMR s.r.l

ENERGY AND SERVICES ONLY WHEN NEEDED

The **Urban Technology line** of New VMR S.r.l. consists of multifunctional retractable power towers for a safer and smarter distribution of electricity and complementary services, at hand only when needed. Furthermore, the retractable power towers help to improve the quality and safety of the city and the environment around us in a smart way.

SAFER SYSTEMS FOR THE SUPPLY OF ELECTRICITY AND OTHER SERVICES

The use of retractable power towers can prevent vandalism and the improper use of services. The units can be adapted to any type of environment thanks to a wide range of different finishes and solutions. These are just some of the perks that can be obtained by using the retractable power towers, already a symbol of high quality and safety.

FIELDS OF APPLICATION

In public spaces they are used for squares, market areas, hotels and lodges, historic centers, public parks, sports centers, shopping centers, piers and marinas, caravan parks and camping areas, airports and hangars, railway and underground stations, as well as stadiums. On the other hand, in private environments they are installed in places such as villas, gardens, swimming pools, condominium spaces, workshops and industrial warehouses. Retractable distribution systems reSocket are a highly functional and design aspect everywhere.

PRODUCT DIVERSIFICATION AND MULTIPLE SOLUTIONS

The structure of the retractable power towers is made of AISI304 (or AISI316L stainless steel on request) stainless steel, painted with epoxy polyester powder, available in a wide range of different colors. The manhole covers of the units are available in D400 spheroidal cast iron or in AISI 304 stainless steel with a capacity of 40kN; they can be round, square, nonslip surface or fillable with different materials, always suitable for every specific need. The movement of the retractable power towers can be manual, tear-off or with a worm screw system; or semi-automatic with gas spring. The mechanical structure and equipment of the retractable units can have a RBK300 concrete box, ideal for installations on the street or in pedestrian areas.

EQUIPMENT: ELECTRIC SOCKETS AND MORE!

The Urban Technology line by New VMR S.r.l. consists in retractable power towers, fully customisable to meet customer needs. The retractable systems allow the safe distribution of electricity, water, compressed air, speech systems, data transmission and much more! The solutions are not limited to the simple creation of retractable switchboards: our distribution units are evolving, becoming smart thanks to the integration of prepaid systems and remote monitoring of consumption.

RETRACTABLE POWER TOWERS

VM01

VM01 F900

VM02 4040

VM02 5050

VM02 6060

VM02 6030

VM02 7050

VM03

VM04

VM05

VM06

VM07

VM08

FLOOR BOX 3030

FLOOR BOX 4040

FLOOR BOX 5050

FLY BOX

VM HOME

VM02 7040 WALL BOX

RETRACTABLE POWER TOWERS, FLIP LID UNITS AND FLOORBOXES

There when you need them, hidden when you don't!

New VMR designs and manufactures retractable power towers, in-ground units and flip lid units for indoors and outdoors:

the perfect way to Socketserve the natural and the urban landscape.

WHAT IS A RETRACTABLE POWER TOWER SYSTEM?

to the provision of services only when needed and, when you've done with it, they hide themselves away within our cities, avoiding vandalism and the improper use of public services.

Thanks to retractable power tower, flip lid units and floorboxes any urban space will become polyvalent and ready to hold fairs or events at any time without having to set up temporary installations, thus helping to limit costs and save money.

The cover can be filled with any type of building material or you can place above an additional cover to optimise its camouflage; for example, in football fields the second option is commonly used by creating a cover filled with synthetic grass!

These are just some of the benefits that can be obtained by using the New VMR retractable service supply systems, of high-quality and reliability.

It's possible to equip the units with GRP sockets and with electrical panel made of butyl rubber.

WHICH MODEL TO CHOOSE?

*With several options to choose from,
which one is best for my needs?*

FOR INSTALLATIONS LINKED TO THE MARKET AREAS

surely the **VM02, VM03, VM04** and **VM05** models of the Urban Technology line of New VMR S.r.l. are the most versatile: the first two allow access to services even when closed, while the others allow to host a fair number of outlets in order to be able to serve more users.

ARE WE TALKING ABOUT VERY LARGE PUBLIC SPACES, PROTAGONISTS OF MAJOR EVENTS AND FAIRS?

VM01 allows you to house equipment with electrical sockets with high amperages, useful for setting up stages for concerts and shows. **VM01**, along with **VM06, VM07** and **VM08** are the best retractable solutions for industrial warehouses, hangars and production centers: not only are they very capacious, but they allow the installation of manhole covers certified for high load capacities.

The **FLOORBOX** line, on the other hand, is very versatile and suitable for **INDOOR PLACES**, where the possibility of excavation is very limited: museums, shopping centers, gyms, swimming pools, showrooms and beauty centers can have numerous energy points without ruining the aesthetics of the local area and allowing temporary installations even in usually clear areas.

In addition to the **FLOORBOX** line, **FLY BOX** and **VM HOME** are the models designed for **PRIVATE** and **DOMESTIC ENVIRONMENTS**: not only for interiors, but also for patios and courtyards.

GENERAL TECHNICAL DETAILS

MOVEMENT SYSTEMS

Manual lifting with turning handle and wormscrew system:
models VM01, VM04, VM05, VM06, VM07, VM08

Semiautomatic lifting with release key and gas rams
models VM02, VM03, FLOORBOX

Manually raised
models FLY BOX and VM HOME

STRUCTURE

RBK concrete box
(excluded models VM02 7050, FLOORBOX, FLY BOX and VM HOME)

Structure made of AISI304 stainless steel

Structure made of AISI316L stainless steel (only on demand)

CONNECTION SYSTEM

Connection with H07RN-F cable
(out of the concrete 3,00mt standard) to a dorsal shaft
for models VM01, VM04, VM05, VM06, VM07, VM08

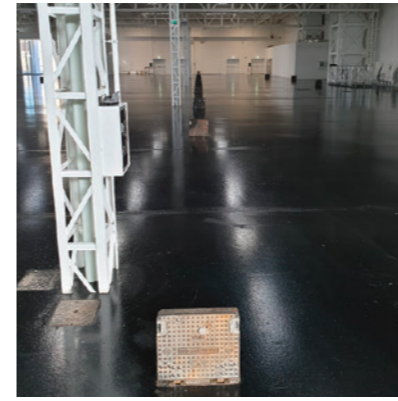
Connection with H07RN-F cable (3,00mt standard)
and junction box
for models VM02, VM03, FLOORBOX

ELECTRICAL SPECS

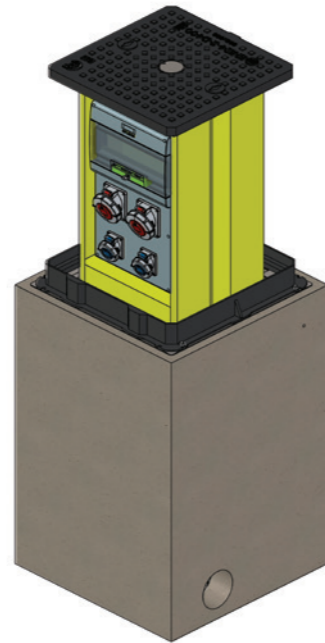
Voltage 230V/400V
Frequency from 50hz to 60hz
Standard protection of the sockets IP67 or IP68
Regulation EN 60947-1 and EN 61439

ADDITIONAL EQUIPMENT

Compressed air outlets
Audio / video connectors
RJ-data / video / telephone jacks
Water outlets / valves 1/2" or 3/4"
Energy consumption meters
Water consumption meters
Wall Box for electric car and vehicle charging system
(only model VM02 7040)
Prepaid system with rechargeable BADGE cards
and CONTROL TOTEM



VM01



MECHANICAL SPECS

Retractable power tower, model VM01 from the "Urban Technology" line of New VMR S.r.l., for the distribution of energy and other services, made of press-bent AISI304 stainless steel painted RAL 1021 with two sides available for mounting electrical equipment and two sides for water taps or the compressed air outlets. The sliding of the unit is ensured by self-lubricating polythene guides. Manual lifting thanks to the worm screw system and by its turning handle or special accessory to mount on an electric drill; or, only on demand and if it is possible, the unit may also come with a semi-automatic lifting ensured by gas rams and release key. Complete with RBK concrete box with the following external dimensions 600x660x960mm.

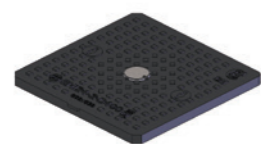
ELECTRICAL SPECS

Electrical equipment containment box with IP 66 protection IEC 60 529 and CE70-1 double insulation in thermoplastic material free of halogen self-extinguishing halogen, painted gray RAL 7035 resistant to abnormal heat and fire up to 650 ° (incandescent wire test according to IEC 60 695-2 -1).

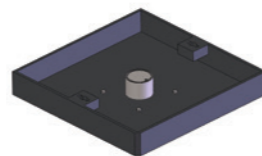
Elastomer sealing gaskets for dimensional stability in continuous operation from -20 ° to + 85 °. Resistance to chemical agents (water, saline solutions, acids, bases and oils) and atmospheric agents. Reference standards: CEI 23-48 and IEC 60 670. This system is suitable for manufacturing equipment and for places with a higher risk of fire (IEC 64-8 / 7).

- AVAILABLE EQUIPMENTS AT PAGE 52 -

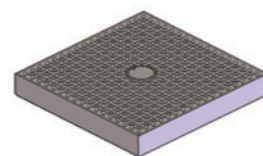
AVAILABLE COVERS



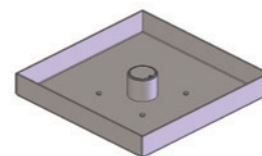
D400 CAST IRON EN 124 COVER



250 CAST IRON EN 124 COVER to FILL



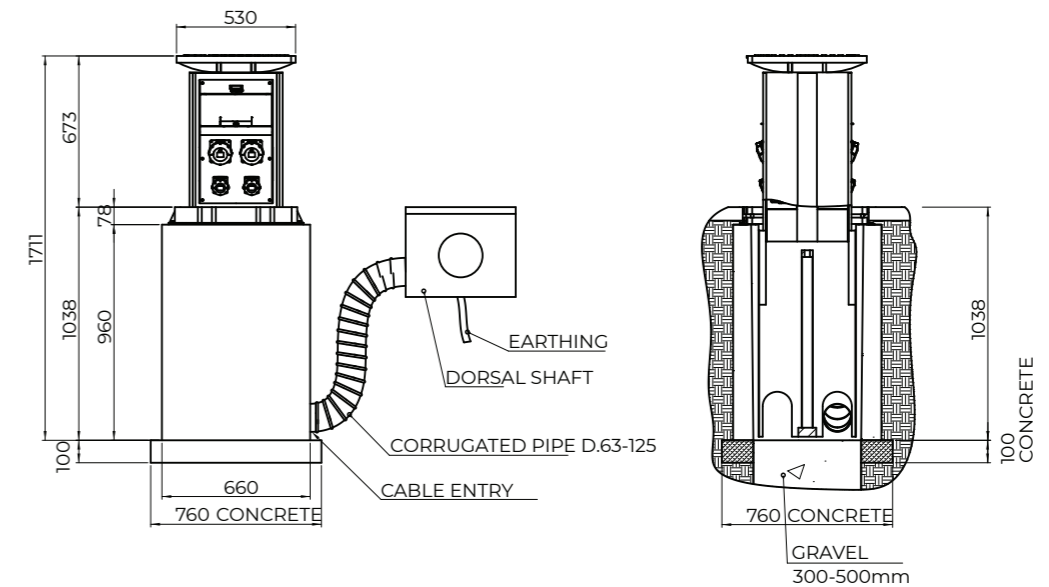
400kN STAINLESS STEEL* COVER with ALMOND FINISH



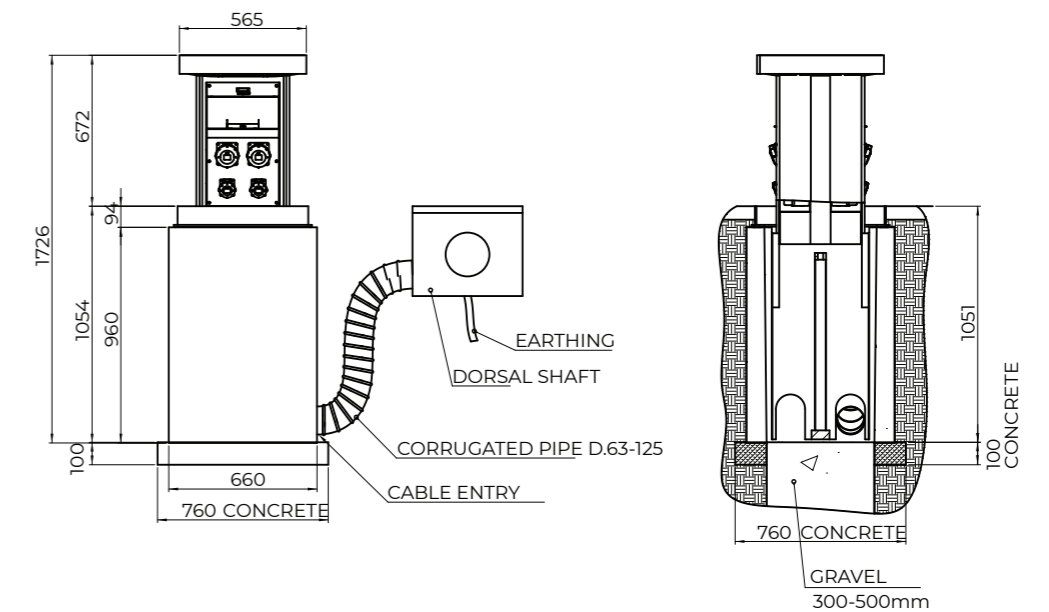
250kN STAINLESS STEEL* COVER to FILL

* electro pickling and electropolishing with passivation of stainless steel treatment to finish and clean the covers from welding marks

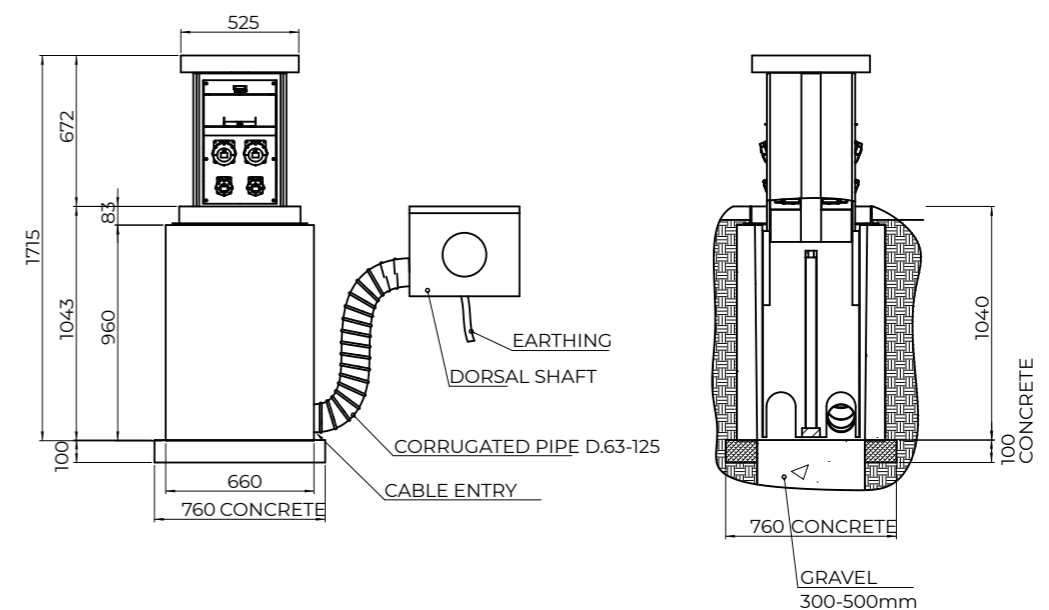
Technical drawing (example)



WITH CAST IRON COVER

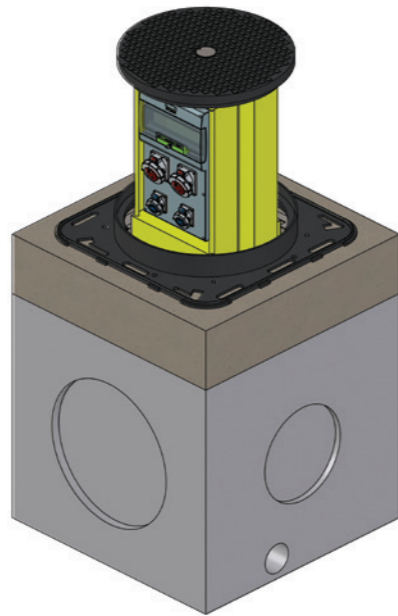


WITH CAST IRON COVER to FILL



WITH STAINLESS STEEL COVER with ALMOND FINISH/ to FILL

VM01 F900



MECHANICAL SPECS

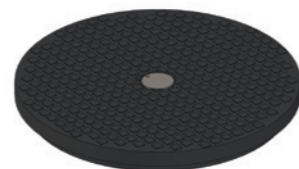
Retractable power tower, model VM01 from the "Urban Technology" line of New VMR S.r.l., for the distribution of energy and other services, made of press-bent AISI304 stainless steel painted RAL 1021 with two sides available for mounting electrical equipment and two sides for water taps or the compressed air outlets. The sliding of the unit is ensured by self-lubricating polythene guides. Manual lifting thanks to the worm screw system and by its turning handle or special accessory to mount on an electric drill; or, **only on demand and if it is possible**, the unit may also come with a semi-automatic lifting ensured by gas rams and release key. Complete with RBK concrete box with the following external dimensions 1000x1000xh944mm.

ELECTRICAL SPECS

Electrical equipment containment box with IP 66 protection IEC 60 529 and CE70-1 double insulation in thermoplastic material free of halogen self-extinguishing halogen, painted gray RAL 7035 resistant to abnormal heat and fire up to 650 ° (incandescent wire test according to IEC 60 695-2 -1). Elastomer sealing gaskets for dimensional stability in continuous operation from -20 ° to + 85 °. Resistance to chemical agents (water, saline solutions, acids, bases and oils) and atmospheric agents. Reference standards: CEI 23-48 and IEC 60 670. This system is suitable for manufacturing equipment and for places with a higher risk of fire (IEC 64-8 / 7).

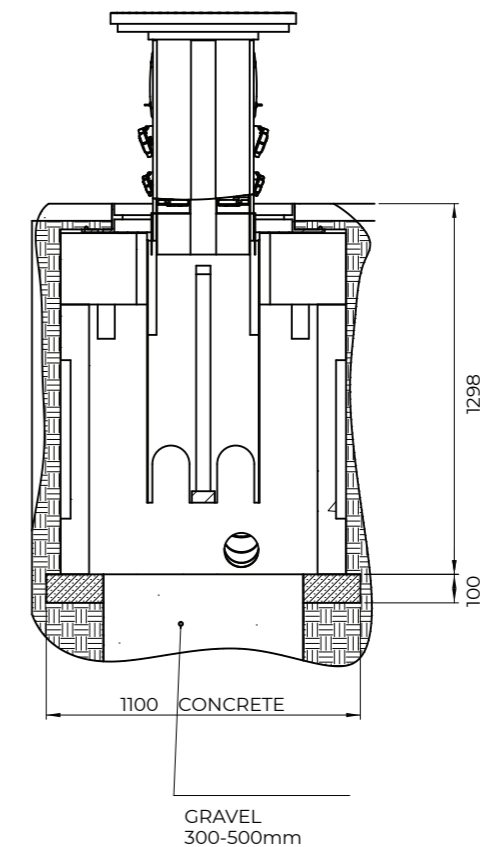
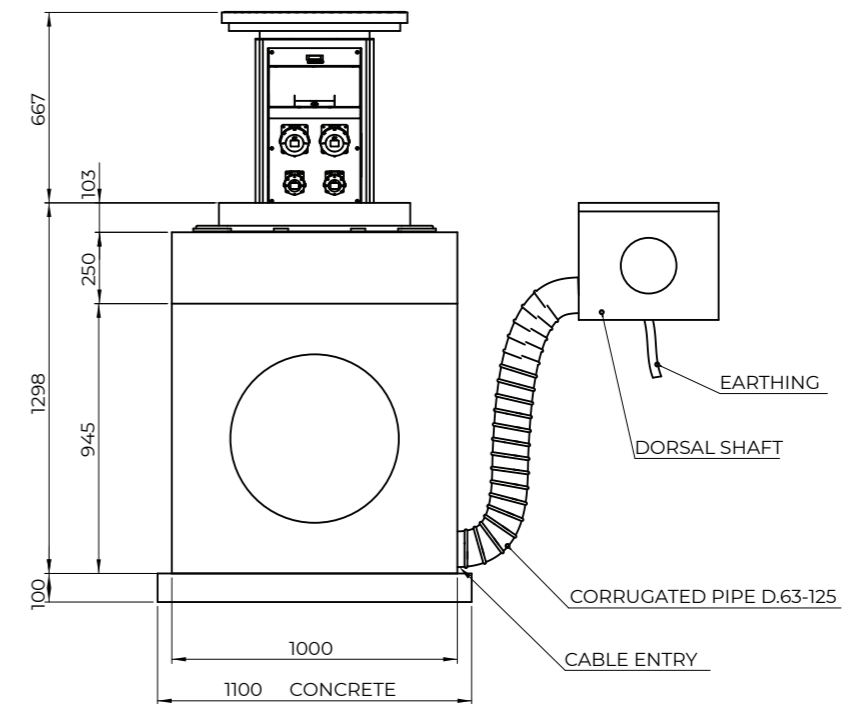
- AVAILABLE EQUIPMENTS AT PAGE 53 -

AVAILABLE COVERS

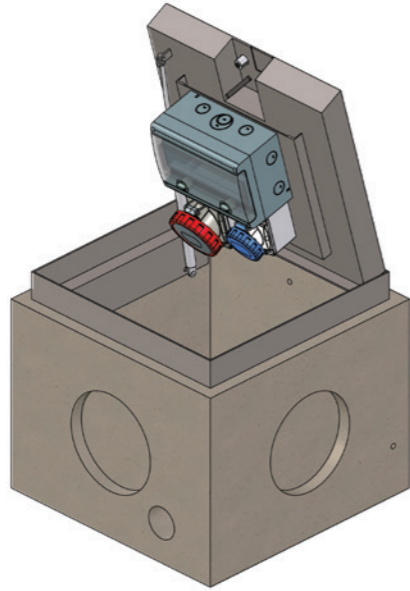


CAST IRON COVER
F900

Technical drawing (example)



VM02 4040



MECHANICAL SPECS

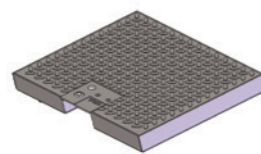
Retractable power tower, model VM02 4040 from the "Urban Technology" line of New VMR S.r.l., for the distribution of energy and other services, made of AISI304 stainless steel with its cover completed with cable outlet to allow to use the unit with its cover closed. Semiautomatic lifting with release key and gas rams: the opening is eased by a double gas actuator and a pivot partially removable from the lid surface; the closing is guaranteed by a AISI304 stainless steel bronzed bayonet lock, operated by its square key. Complete with RBK concrete box with the following external 490x490xh370mm.

ELECTRICAL SPECS

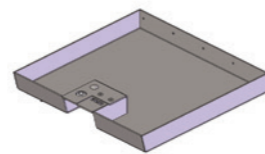
Electrical equipment containment box with IP 66 protection IEC 60 529 and CE70-1 double insulation in thermoplastic material free of halogen self-extinguishing halogen, painted gray RAL 7035 resistant to abnormal heat and fire up to 650 ° (incandescent wire test according to IEC 60 695-2 -1). Elastomer sealing gaskets for dimensional stability in continuous operation from -20 ° to + 85 °. Resistance to chemical agents (water, saline solutions, acids, bases and oils) and atmospheric agents. Reference standards: CEI 23-48 and IEC 60 670. This system is suitable for manufacturing equipment and for places with a higher risk of fire (IEC 64-8 / 7).

- AVAILABLE EQUIPMENTS AT PAGE 54 -

AVAILABLE COVERS



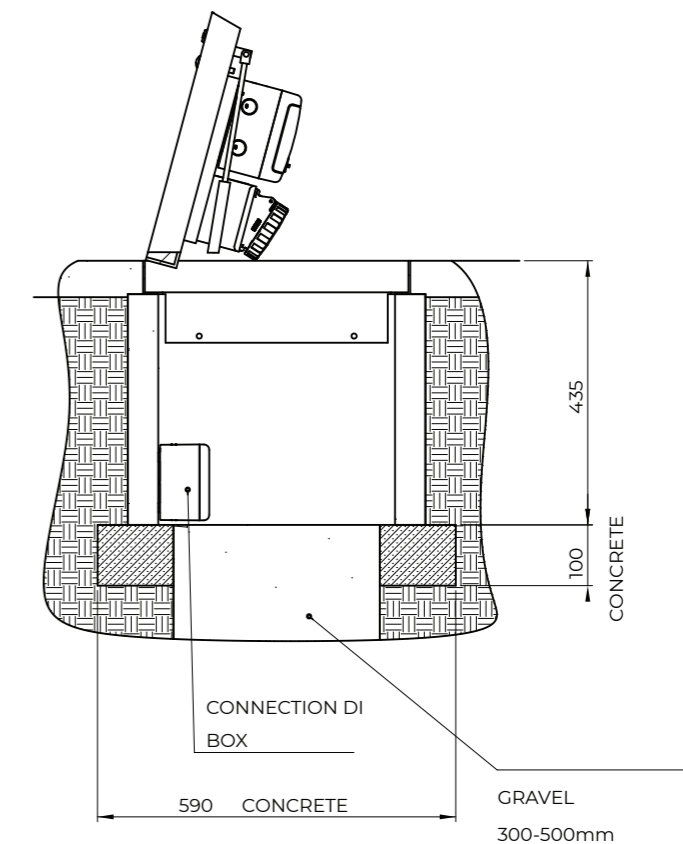
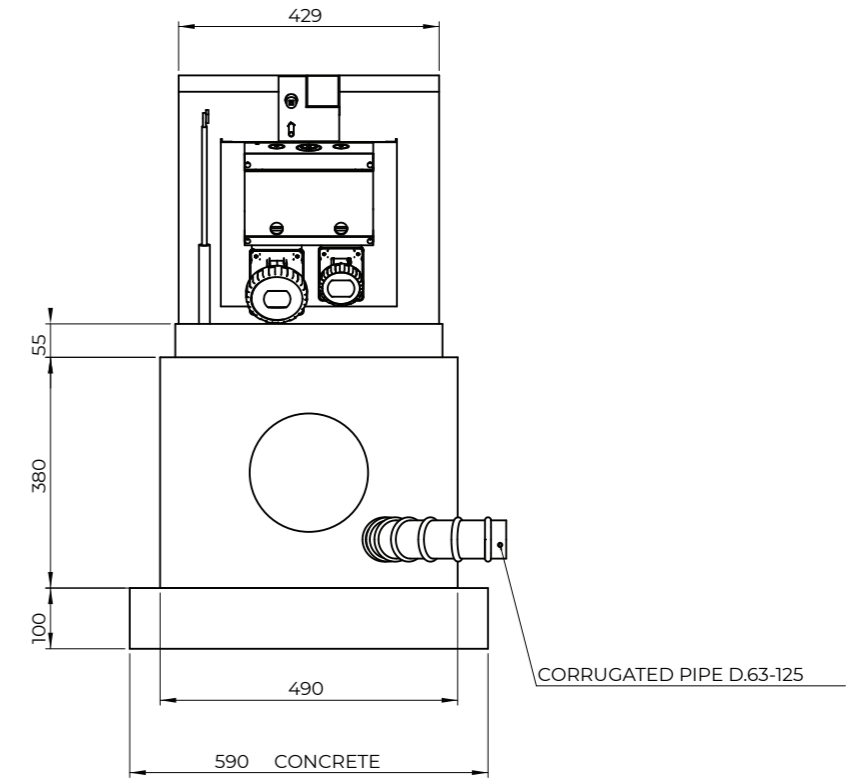
400kN STAINLESS STEEL* COVER with ALMOND FINISH



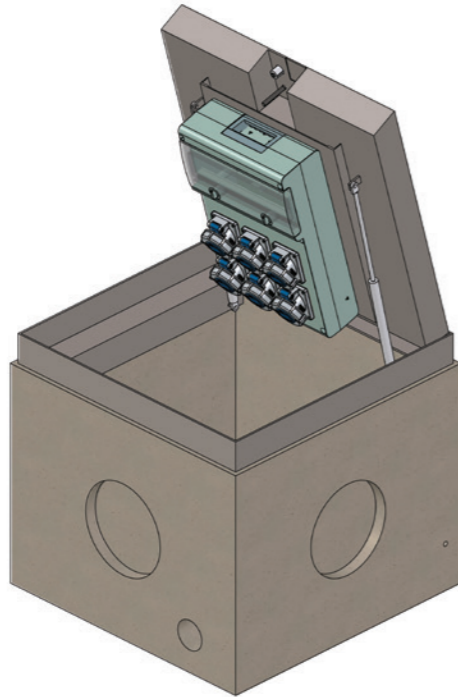
250kN STAINLESS STEEL* COVER to FILL

* electro pickling and electropolishing with passivation of stainless steel treatment to finish and clean the covers from welding marks

Technical drawing (example)



VM02 5050



MECHANICAL SPECS

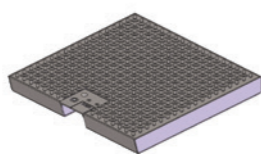
Retractable power tower, model VM02 5050 from the "Urban Technology" line of New VMR S.r.l., for the distribution of energy and other services, made of AISI304 stainless steel with its cover completed with cable outlet to allow to use the unit with its cover closed. Semiautomatic lifting with release key and gas rams: the opening is eased by a double gas actuator and a pivot partially removable from the lid surface; the closing is guaranteed by a AISI304 stainless steel bronzed bayonet lock, operated by its square key. Complete with RBK concrete box with the following external dimensions 590x590x470mm.

ELECTRICAL SPECS

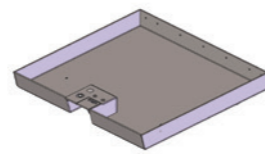
Electrical equipment containment box with IP 66 protection IEC 60 529 and CE70-1 double insulation in thermoplastic material free of halogen self-extinguishing halogen, painted gray RAL 7035 resistant to abnormal heat and fire up to 650 ° (incandescent wire test according to IEC 60 695-2 -1). Elastomer sealing gaskets for dimensional stability in continuous operation from -20 ° to + 85 °. Resistance to chemical agents (water, saline solutions, acids, bases and oils) and atmospheric agents. Reference standards: CEI 23-48 and IEC 60 670. This system is suitable for manufacturing equipment and for places with a higher risk of fire (IEC 64-8 / 7).

- AVAILABLE EQUIPMENTS AT PAGE 55 -

AVAILABLE COVERS



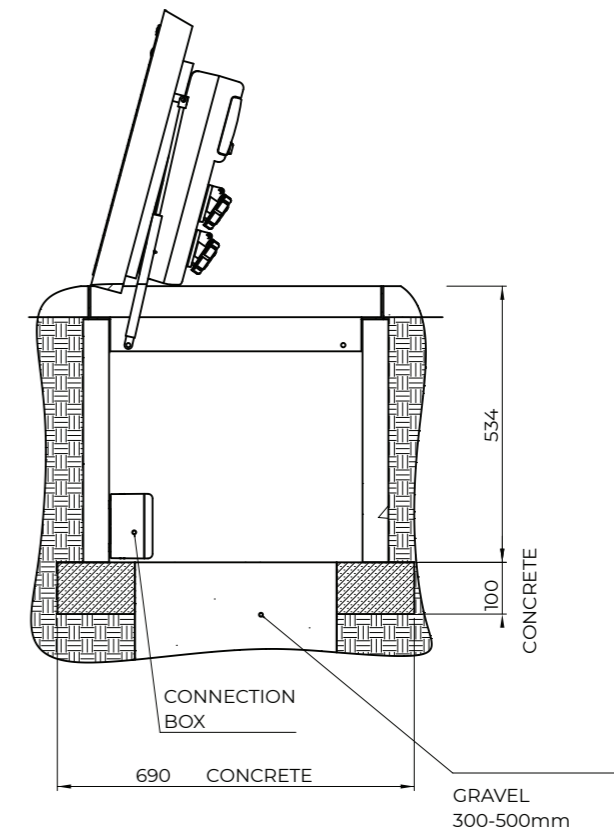
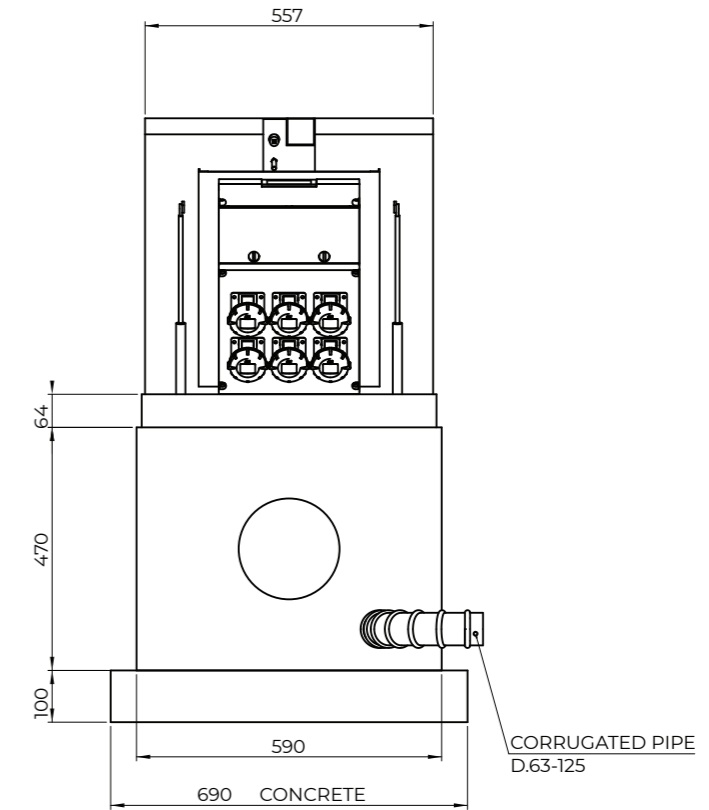
400kN STAINLESS STEEL* COVER with ALMOND FINISH



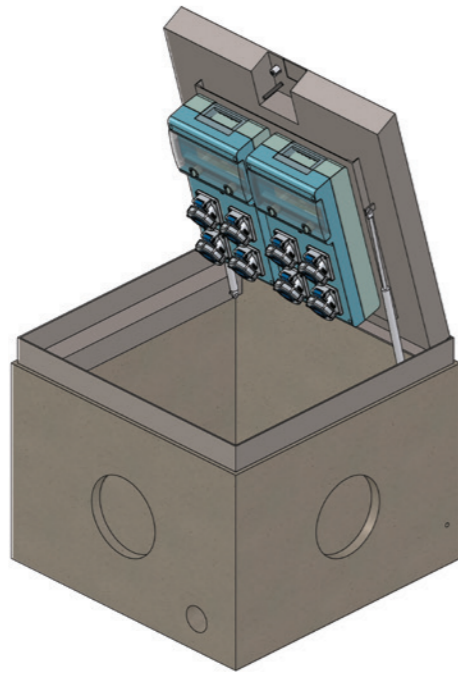
250kN STAINLESS STEEL* COVER to FILL

* electro pickling and electropolishing with passivation of stainless steel treatment to finish and clean the covers from welding marks

Technical drawing (example)



VM02 6060



MECHANICAL SPECS

Retractable power tower, model VM02 6060 from the "Urban Technology" line of New VMR S.r.l., for the distribution of energy and other services, made of AISI304 stainless steel with its cover completed with cable outlet to allow to use the unit with its cover closed.

Semiautomatic lifting with release key and gas rams: the opening is eased by a double gas actuator and a pivot partially removable from the lid surface; the closing is guaranteed by a AISI304 stainless steel bronzed bayonet lock, operated by its square key.

Complete with RBK concrete box with the following external dimensions 690x690x490mm.

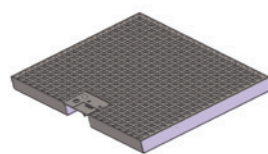
ELECTRICAL SPECS

Electrical equipment containment box with IP 66 protection IEC 60 529 and CE70-1 double insulation in thermoplastic material free of halogen self-extinguishing halogen, painted gray RAL 7035 resistant to abnormal heat and fire up to 650 ° (incandescent wire test according to IEC 60 695-2 -1).

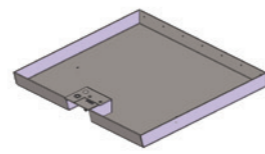
Elastomer sealing gaskets for dimensional stability in continuous operation from -20 ° to + 85 °. Resistance to chemical agents (water, saline solutions, acids, bases and oils) and atmospheric agents. Reference standards: CEI 23-48 and IEC 60 670. This system is suitable for manufacturing equipment and for places with a higher risk of fire (IEC 64-8 / 7).

- AVAILABLE EQUIPMENTS AT PAGE 56 -

AVAILABLE COVERS



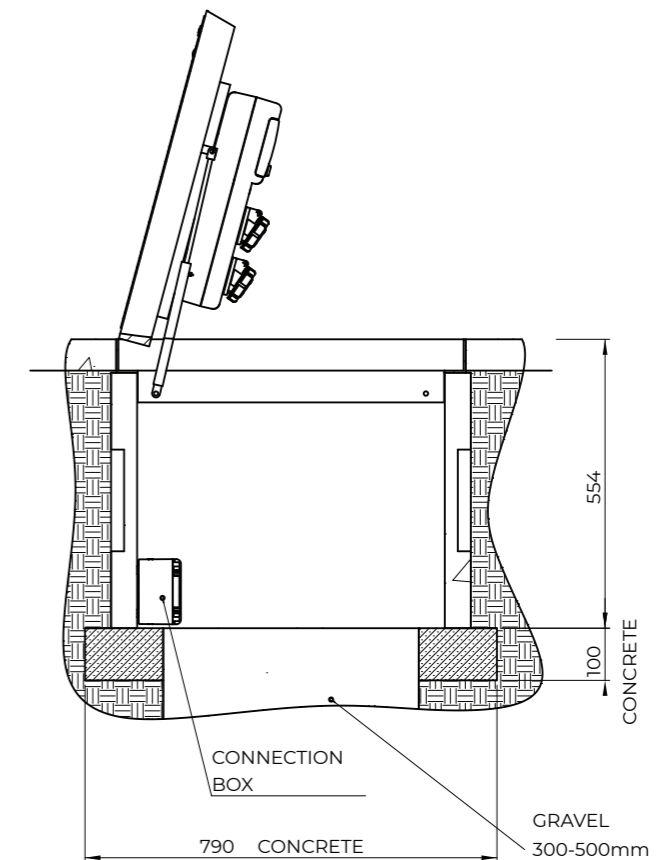
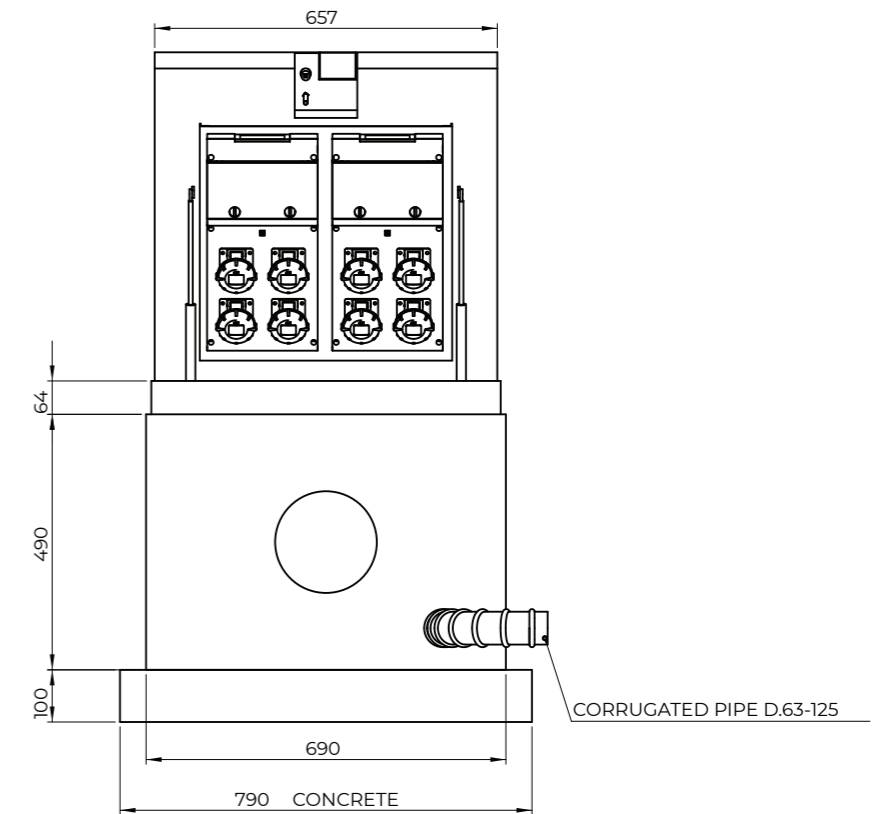
400kN sTAINLESS STEEL* COVER with ALMOND FINISH



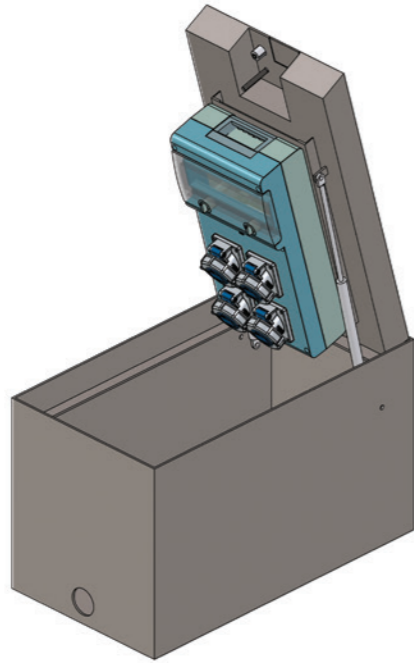
250kN STAINLESS STEEL* COVER to FILL

* electro pickling and electropolishing with passivation of stainless steel treatment to finish and clean the covers from welding marks

Technical drawing (example)



VM02 6030



MECHANICAL SPECS

Retractable power tower, model VM02 6030 from the "Urban Technology" line of New VMR S.r.l., for the distribution of energy and other services, entirely made of AISI304 stainless steel with its cover completed with cable outlet to allow to use the unit with its cover closed. Semiautomatic lifting with release key and gas rams: the opening is eased by a double gas actuator and a pivot partially removable from the lid surface; the closing is guaranteed by a AISI304 stainless steel bronzed bayonet lock, operated by its square key. Dimensions: 335x610xh365mm.

ELECTRICAL SPECS

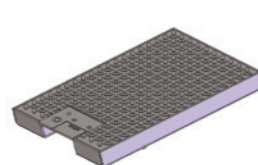
Electrical equipment containment box with IP 66 protection IEC 60 529 and CE70-1 double insulation in thermoplastic material free of halogen self-extinguishing halogen, painted gray RAL 7035 resistant to abnormal heat and fire up to 650 ° (incandescent wire test according to IEC 60 695-2 -1).

Elastomer sealing gaskets for dimensional stability in continuous operation from -20 ° to + 85 °. Resistance to chemical agents (water, saline solutions, acids, bases and oils) and atmospheric agents. Reference standards: CEI 23-48 and IEC 60 670.

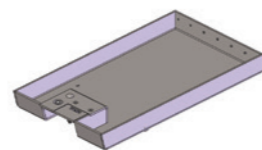
This system is suitable for manufacturing equipment and for places with a higher risk of fire (IEC 64-8 / 7).

- EQUIPMENTS ON REQUEST -

AVAILABLE COVERS



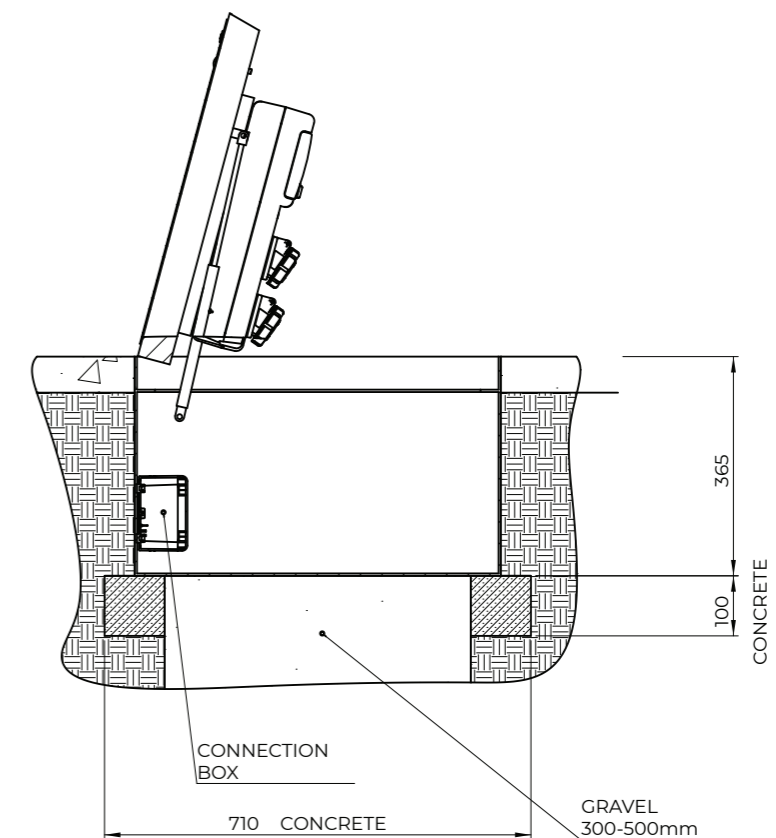
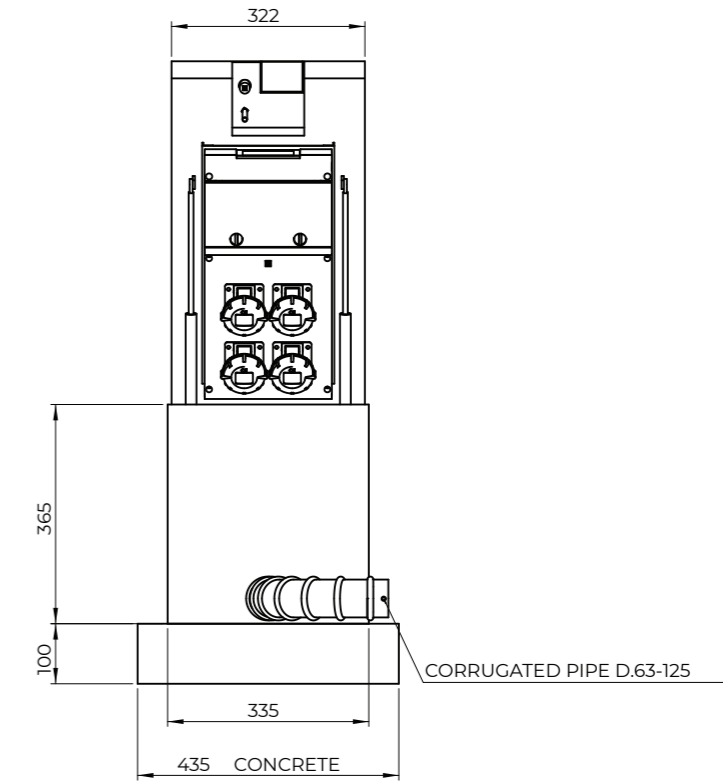
400kN STAINLESS STEEL* COVER with ALMOND FINISH



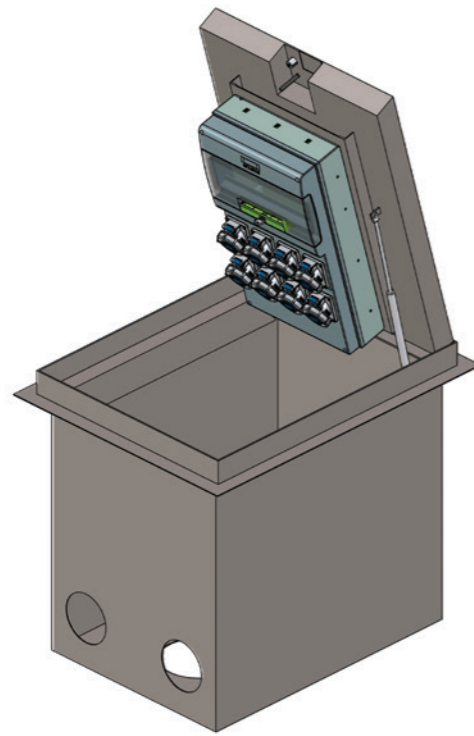
250kN STAINLESS STEEL* COVER to FILL

* electro pickling and electropolishing with passivation of stainless steel treatment to finish and clean the covers from welding marks

Technical drawing (example)



VM02 7050



MECHANICAL SPECS

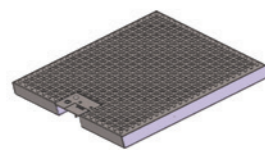
Retractable power tower, model VM02 7050 from the "Urban Technology" line of New VMR S.r.l., for the distribution of energy and other services, entirely made of AISI304 stainless steel with its cover completed with cable outlet to allow to use the unit with its cover closed. Semiautomatic lifting with release key and gas rams: the opening is eased by a double gas actuator and a pivot partially removable from the lid surface; the closing is guaranteed by a AISI304 stainless steel bronzed bayonet lock, operated by its square key. Dimensions: 516x750xh715mm.

ELECTRICAL SPECS

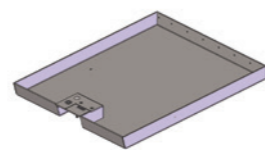
Electrical equipment containment box with IP 66 protection IEC 60 529 and CE70-1 double insulation in thermoplastic material free of halogen self-extinguishing halogen, painted gray RAL 7035 resistant to abnormal heat and fire up to 650 ° (incandescent wire test according to IEC 60 695-2 -1). Elastomer sealing gaskets for dimensional stability in continuous operation from -20 ° to + 85 °. Resistance to chemical agents (water, saline solutions, acids, bases and oils) and atmospheric agents. Reference standards: CEI 23-48 and IEC 60 670. This system is suitable for manufacturing equipment and for places with a higher risk of fire (IEC 64-8 / 7).

- AVAILABLE EQUIPMENTS AT PAGE 57 -

AVAILABLE COVERS



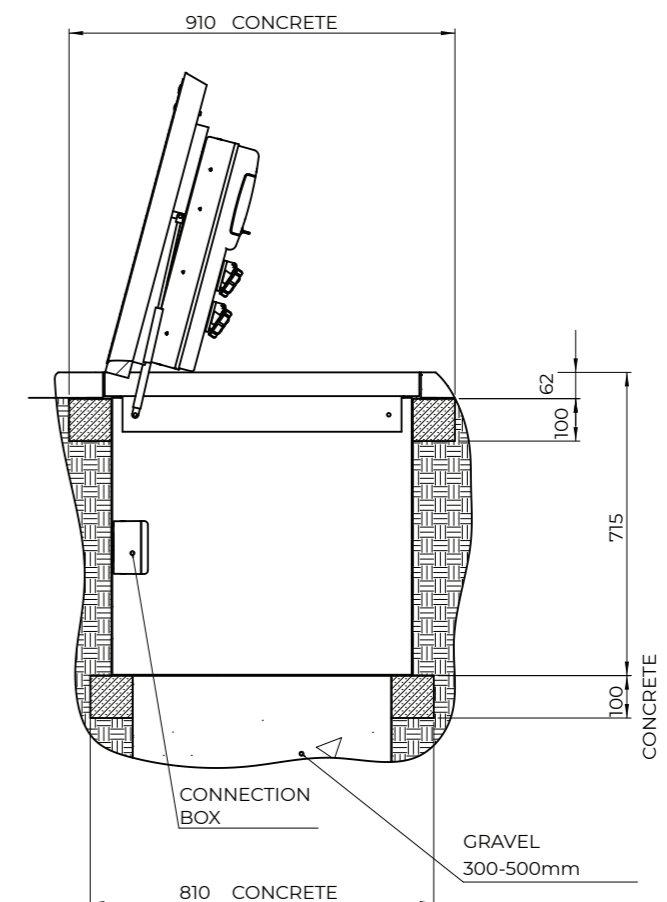
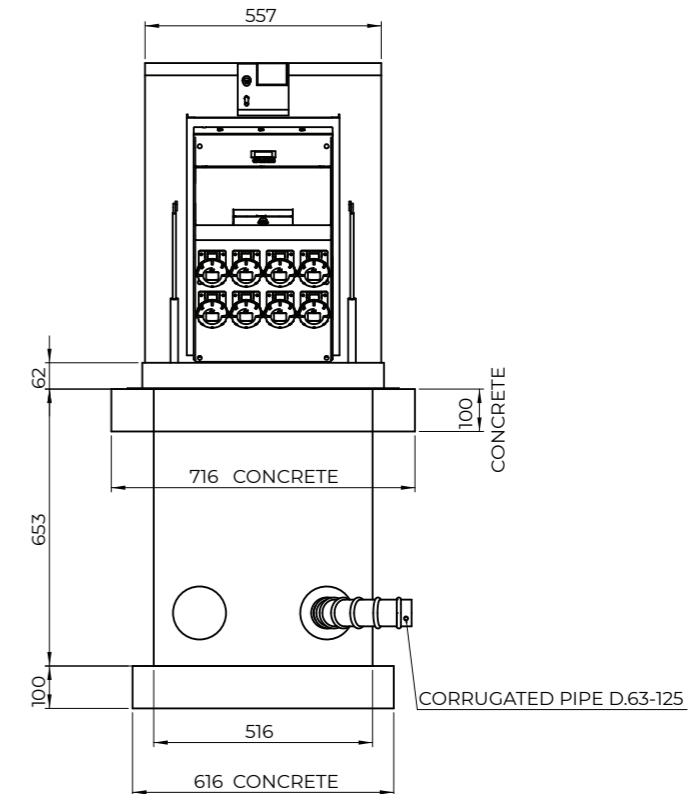
400kN STAINLESS STEEL* COVER with ALMOND FINISH



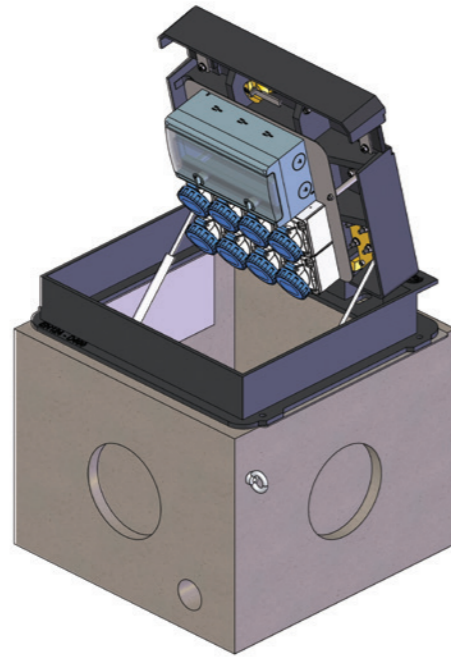
250kN STAINLESS STEEL* COVER to FILL

* electro pickling and electropolishing with passivation of stainless steel treatment to finish and clean the covers from welding marks

Technical drawing (example)



VM03



MECHANICAL SPECS

Retractable power tower, model VM03 from the "Urban Technology" line of New VMR S.r.l., for the distribution of energy and other services, with AISI304 stainless steel frame and D400 cast iron EN 124 cover completed with two cable outlets to allow to use the unit with its cover closed.

Non-slip surface according to UNI EN 124 class D400; surface features the mandatory class D400, EN 124 and certification body mark. The cast iron cover is manufactured in certified facilities according to ISO 9001 quality standards. The union between cover and the frame is ensured by bronze hinges, easily replaceable. Semiautomatic lifting with release key and gas rams; the opening is eased by a double gas actuator and a pivot partially removable from the lid surface.

The closing is guaranteed by a bronze bayonet lock, protected from dust and water by a hinged flap door. Complete with RBK concrete box with the following external dimensions 590x590xh470mm.

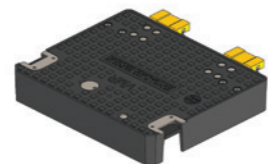
ELECTRICAL SPECS

thermoplastic material free of halogen self-extinguishing halogen, painted gray RAL 7035 resistant to abnormal heat and fire up to 650 ° (incandescent wire test according to IEC 60 695-2 -1).

Elastomer sealing gaskets for dimensional stability in continuous operation from -20 ° to + 85 °. Resistance to chemical agents (water, saline solutions, acids, bases and oils) and atmospheric agents. Reference standards: CEI 23-48 and IEC 60 670. This system is suitable for manufacturing equipment and for places with a higher risk of fire (IEC 64-8 / 7).

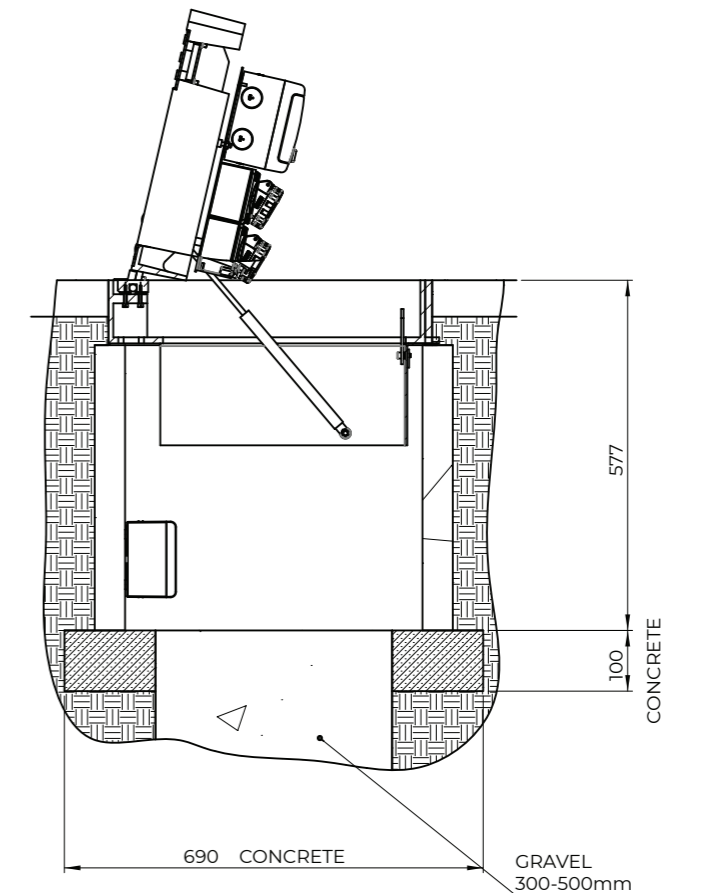
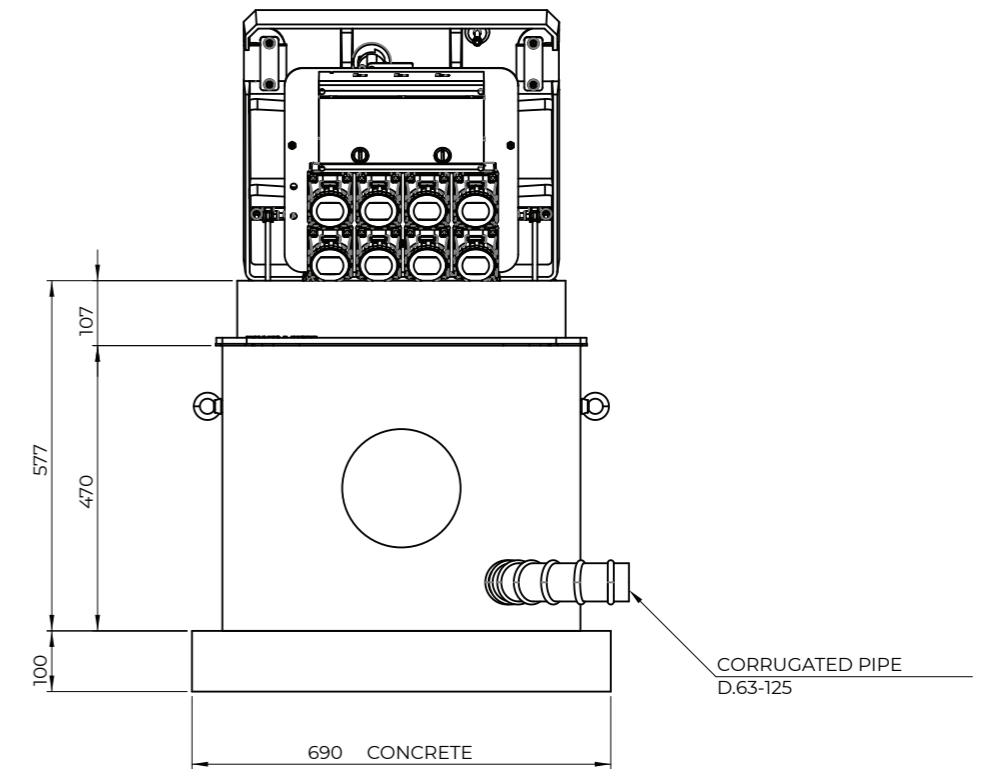
- AVAILABLE EQUIPMENTS AT PAGE 58 -

AVAILABLE COVERS

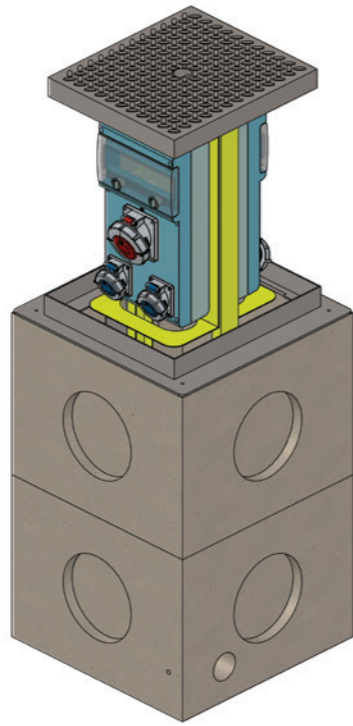


D400 CAST IRON EN 124 COVER

Technical drawing (example)



VM04



MECHANICAL SPECS

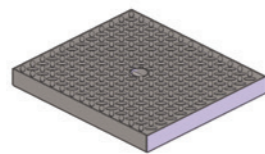
Retractable power tower, model VM04 from the "Urban Technology" line of New VMR S.r.l., for the distribution of energy and other services, made of press-bent AISI304 stainless steel painted RAL 1021 with two sides available for mounting electrical equipment.
 Manual lifting by its special hooked-key up to its lock position.
 Complete with RBK concrete box with the following external dimensions 490x490x740mm.

ELECTRICAL SPECS

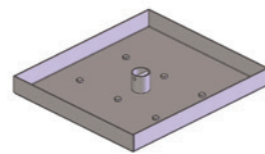
Electrical equipment containment box with IP 66 protection IEC 60 529 and CE70-1 double insulation in thermoplastic material free of halogen self-extinguishing halogen, painted gray RAL 7035 resistant to abnormal heat and fire up to 650 ° (incandescent wire test according to IEC 60 695-2 -1).
 Elastomer sealing gaskets for dimensional stability in continuous operation from -20 ° to + 85 °.
 Resistance to chemical agents (water, saline solutions, acids, bases and oils) and atmospheric agents.
 Reference standards: CEI 23-48 and IEC 60 670. This system is suitable for manufacturing equipment and for places with a higher risk of fire (IEC 64-8 / 7).

- AVAILABLE EQUIPMENTS AT PAGE 59 -

AVAILABLE COVERS



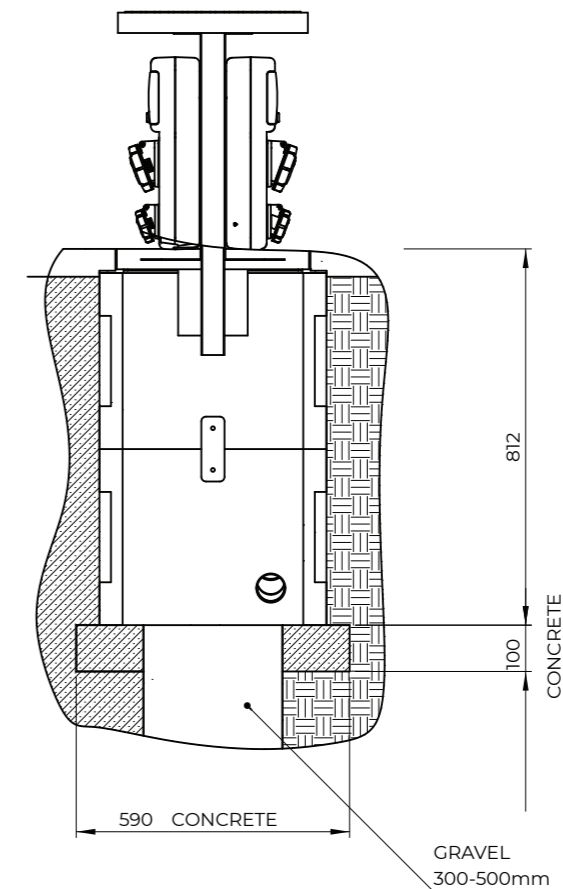
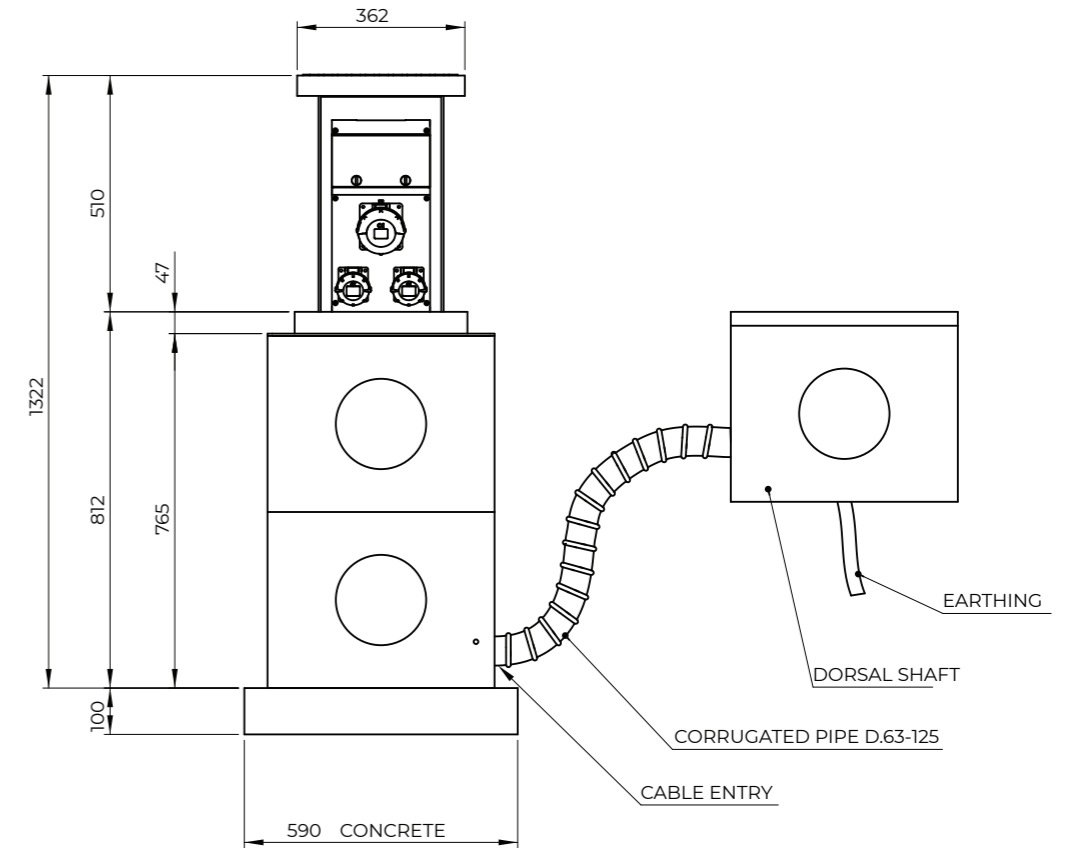
400kN STAINLESS STEEL* COVER with ALMOND FINISH



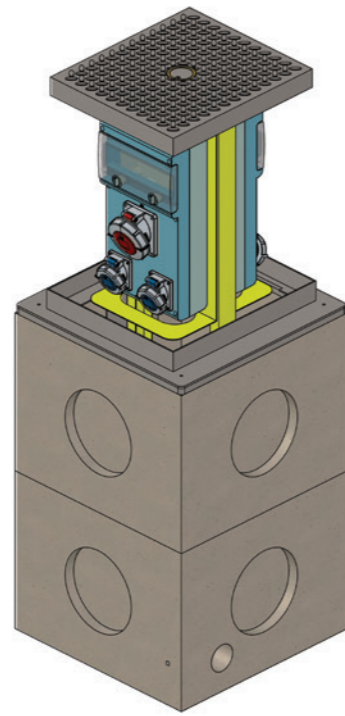
250kN STAINLESS STEEL* COVER to FILL

* electro pickling and electropolishing with passivation of stainless steel treatment to finish and clean the covers from welding marks

Technical drawing (example)



VM05



MECHANICAL SPECS

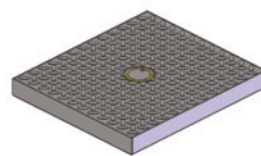
Retractable power tower, model VM05 from the "Urban Technology" line of New VMR S.r.l., for the distribution of energy and other services, made of press-bent AISI304 stainless steel painted RAL 1021 with two sides available for mounting electrical equipment. The sliding of the unit is ensured by self-lubricating polythene guides. Manual lifting thanks to the worm screw system and by its turning handle or special accessory to mount on an electric drill; or, **only on demand and if it is possible**, the unit may also come with a semi-automatic lifting ensured by gas rams and release key. Complete with RBK concrete box with the following external 490x490xh740mm.

ELECTRICAL SPECS

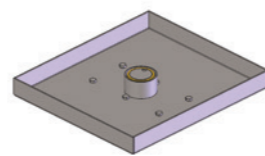
Electrical equipment containment box with IP 66 protection IEC 60 529 and CE70-1 double insulation in thermoplastic material free of halogen self-extinguishing halogen, painted gray RAL 7035 resistant to abnormal heat and fire up to 650 ° (incandescent wire test according to IEC 60 695-2 -1). Elastomer sealing gaskets for dimensional stability in continuous operation from -20 ° to + 85 °. Resistance to chemical agents (water, saline solutions, acids, bases and oils) and atmospheric agents. Reference standards: CEI 23-48 and IEC 60 670. This system is suitable for manufacturing equipment and for places with a higher risk of fire (IEC 64-8 / 7).

- AVAILABLE EQUIPMENTS AT PAGE 60 -

AVAILABLE COVERS



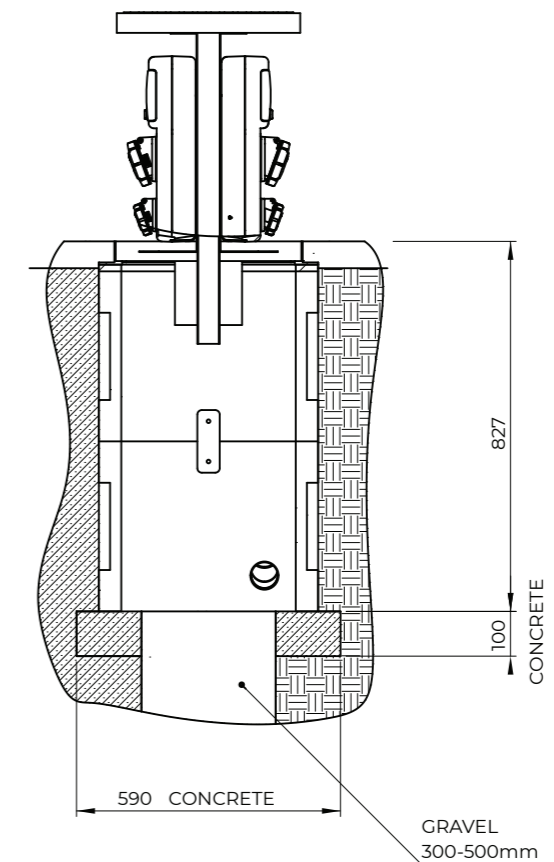
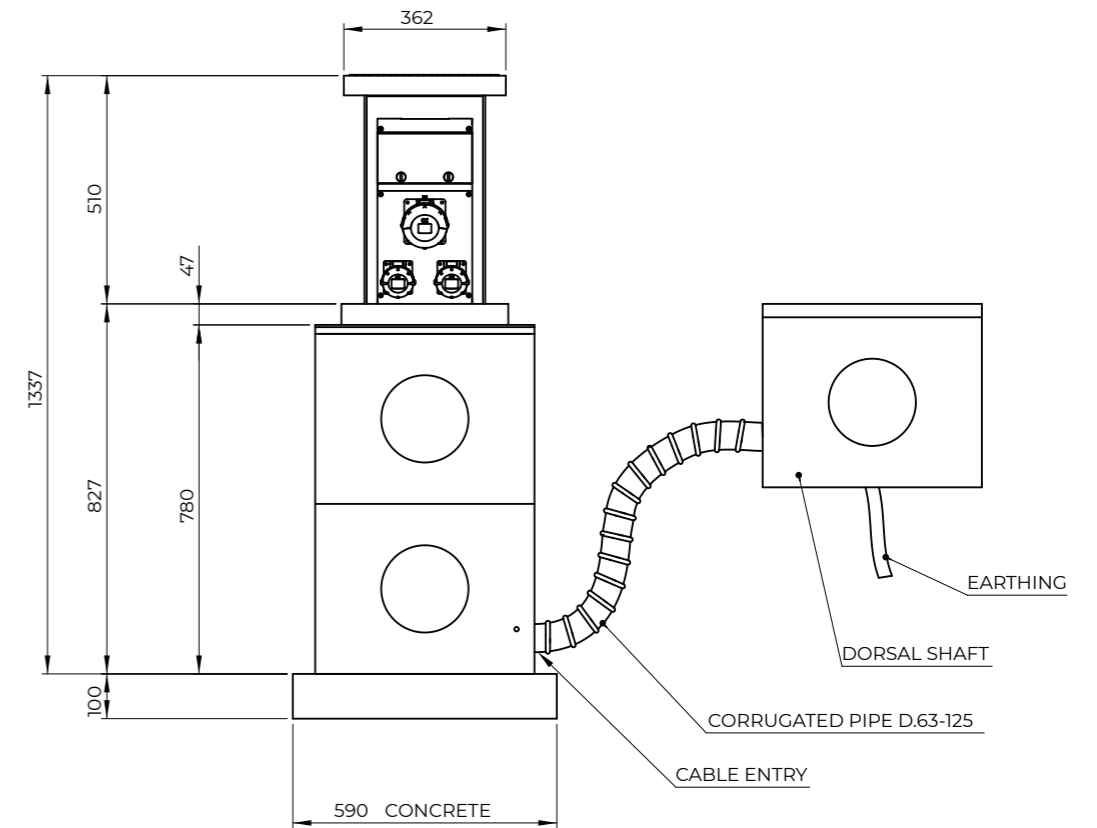
400kN STAINLESS STEEL* COVER with ALMOND FINISH



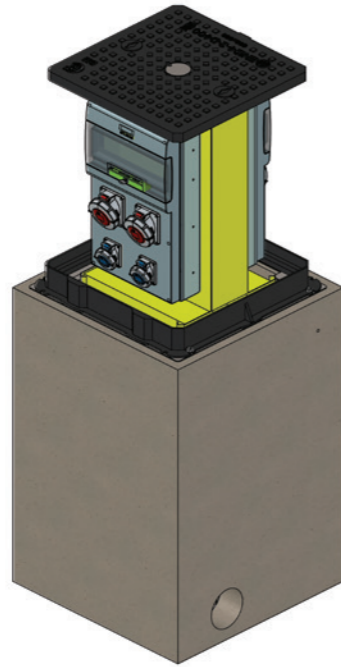
250kN STAINLESS STEEL* COVER to FILL

* electro pickling and electropolishing with passivation of stainless steel treatment to finish and clean the covers from welding marks

Technical drawing (example)



VM06



MECHANICAL SPECS

Retractable power tower, model VM06 from the "Urban Technology" line of New VMR S.r.l., for the distribution of energy and other services, made of press-bent AISI304 stainless steel painted RAL 1021 with two sides available for mounting electrical equipment.

The sliding of the unit is ensured by self-lubricating polythene guides.

Manual lifting thanks to the worm screw system and by its turning handle or special accessory to mount on an electric drill; or, only on demand and if it is possible, the unit may also come with a semi-automatic lifting ensured by gas rams and release key.

Completed with its D400 cast iron EN 124 cover.

Complete with RBK concrete box with the following external dimensions 660x660xh960mm.

ELECTRICAL SPECS

thermoplastic material free of halogen self-extinguishing halogen, painted gray RAL 7035 resistant to abnormal heat and fire up to 650 ° (incandescent wire test according to IEC 60 695-2 -1).

Elastomer sealing gaskets for dimensional stability in continuous operation from -20 ° to + 85 °.

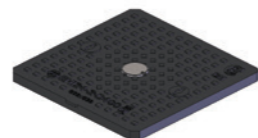
Resistance to chemical agents (water, saline solutions, acids, bases and oils) and atmospheric agents.

Reference standards: CEI 23-48 and IEC 60 670.

This system is suitable for manufacturing equipment and for places with a higher risk of fire (IEC 64-8 / 7).

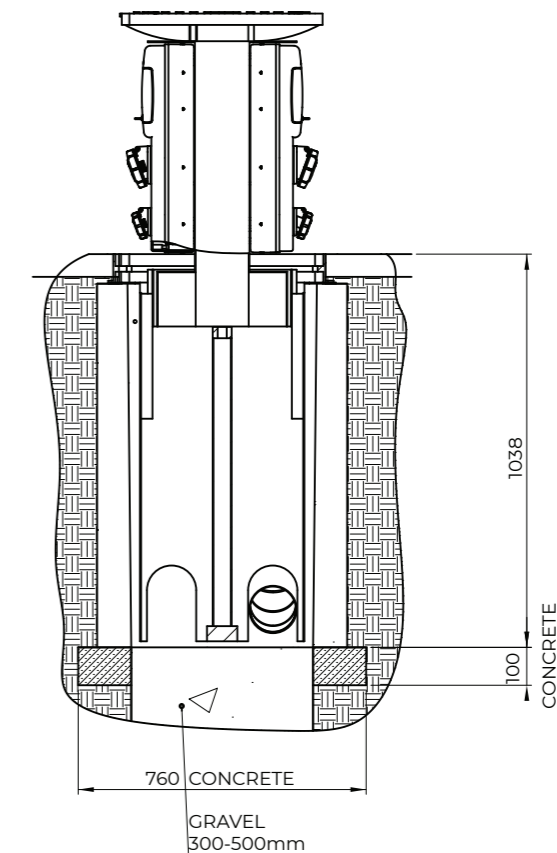
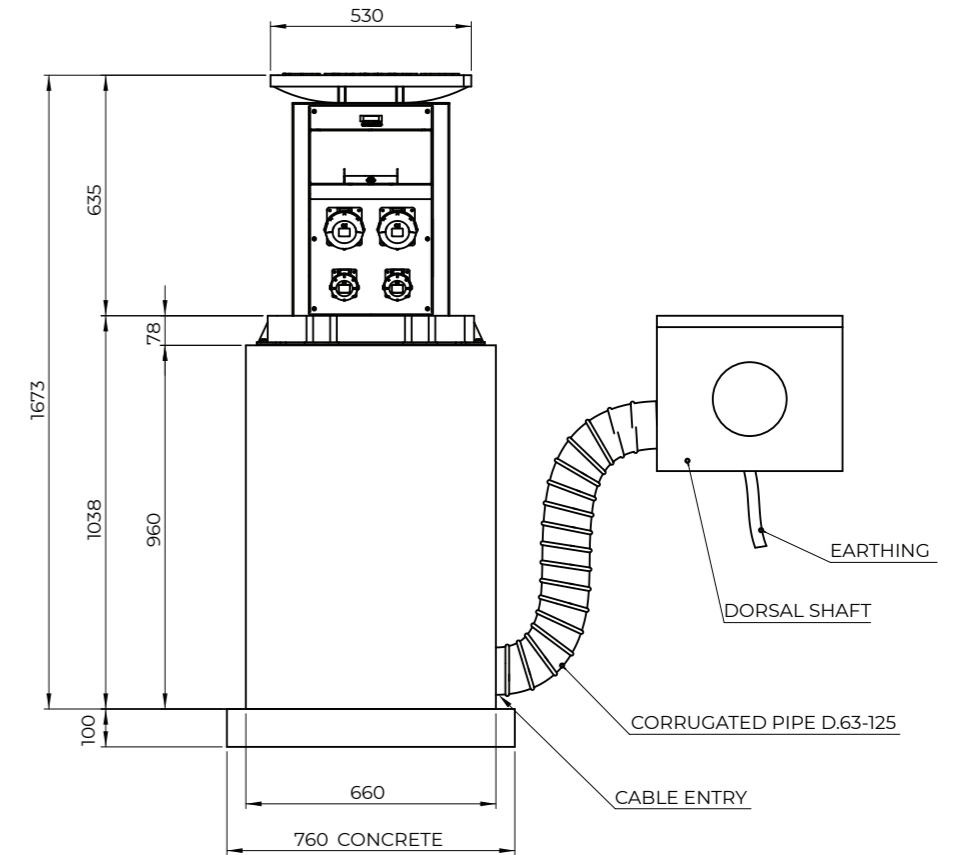
- AVAILABLE EQUIPMENTS AT PAGE 61 -

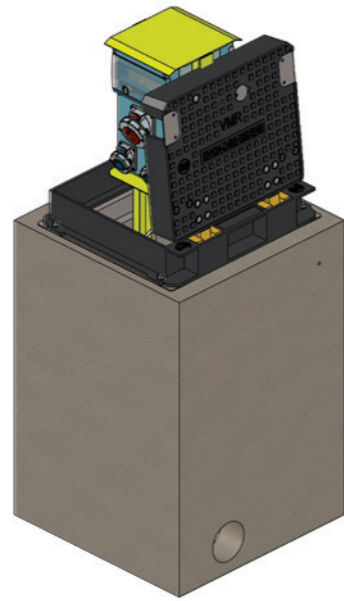
AVAILABLE COVERS



D400 CAST IRON EN 124 COVER

Technical drawing (example)





MECHANICAL SPECS

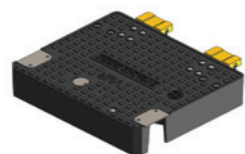
Retractable power tower, model VM07 from the "Urban Technology" line of New VMR S.r.l., for the distribution of energy and other services, made of press-bent AISI304 stainless steel painted RAL 1021 and with one side available for mounting electrical equipment. Manual lifting by its special ergonomic handle up to its lock position. Cover with semiautomatic lifting with release key and gas rams; the opening is eased by a double gas actuator and a pivot partially removable from the lid surface. The closing is guaranteed by a bronze bayonet lock, protected from dust and water by a hinged flap door. D400 cast iron EN 124 cover. Non-slip surface according to UNI EN 124 class D400; surface features the mandatory class D400, EN 124 and certification body mark. The cast iron cover is manufactured in certified facilities according to ISO 9001 quality standards. Complete with RBK concrete box with the following external dimensions 660x660xh960mm.

ELECTRICAL SPECS

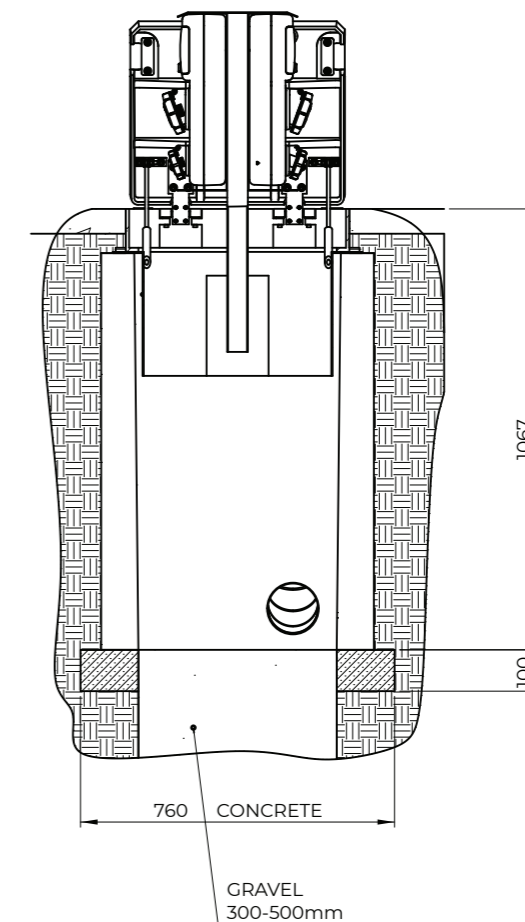
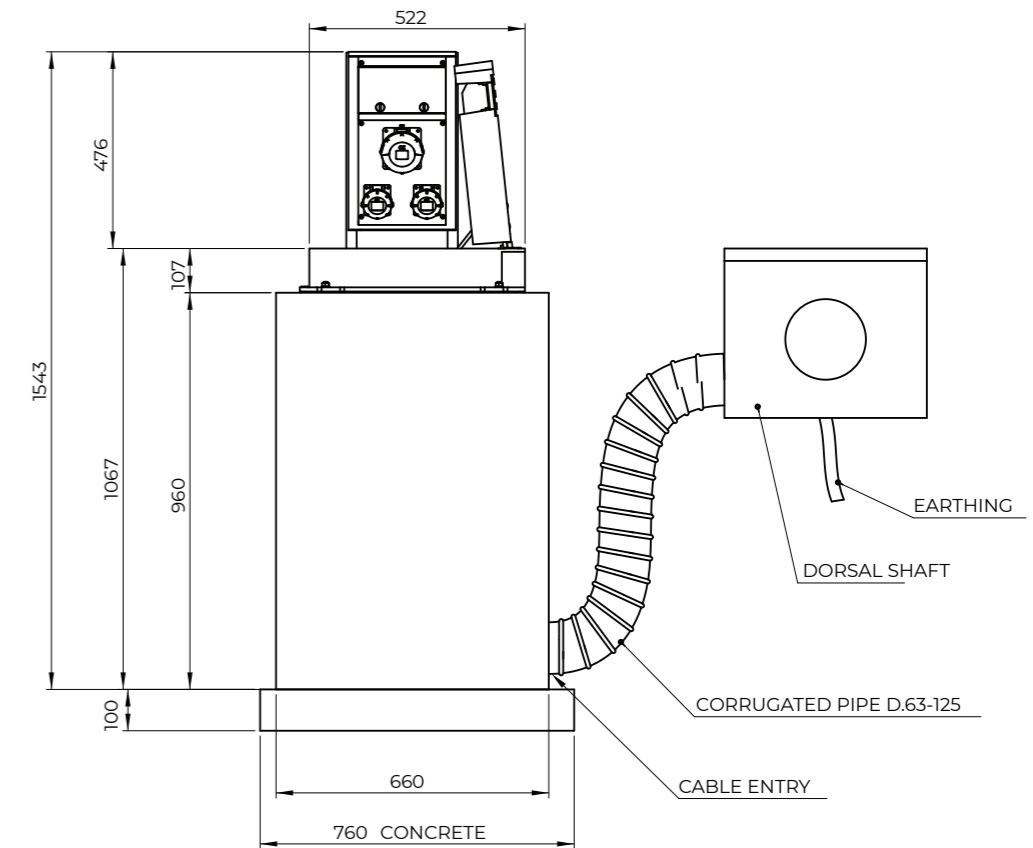
Electrical equipment containment box with IP 66 protection IEC 60 529 and CE70-1 double insulation in thermoplastic material free of halogen self-extinguishing halogen, painted gray RAL 7035 resistant to abnormal heat and fire up to 650 ° (incandescent wire test according to IEC 60 695-2 -1). Elastomer sealing gaskets for dimensional stability in continuous operation from -20 ° to + 85 °. Resistance to chemical agents (water, saline solutions, acids, bases and oils) and atmospheric agents. Reference standards: CEI 23-48 and IEC 60 670. This system is suitable for manufacturing equipment and for places with a higher risk of fire (IEC 64-8 / 7).

- AVAILABLE EQUIPMENTS AT PAGE 62 -

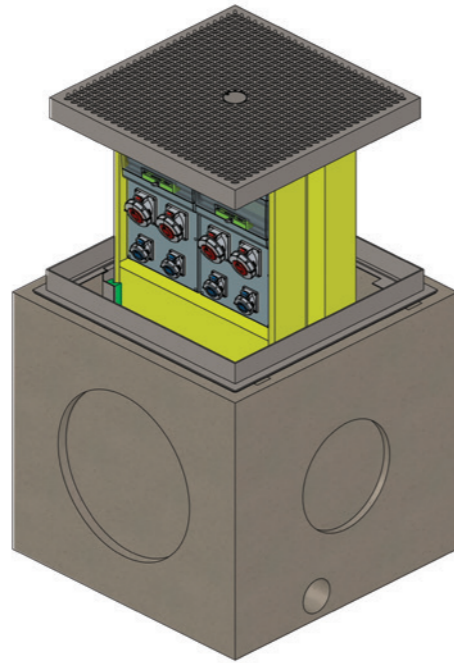
AVAILABLE COVERS



D400 CAST IRON EN 124 COVER



VM08



MECHANICAL SPECS

Retractable power tower, model VM08 from the "Urban Technology" line of New VMR S.r.l., for the distribution of energy and other services, made of press-bent AISI304 stainless steel painted RAL 1021 with two sides available for mounting electrical equipment and two sides for water taps or the compressed air outlets. The sliding of the unit is ensured by self-lubricating polythene guides.

Manual lifting thanks to the worm screw system and by its turning handle or special accessory to mount on an electric drill.

Complete with RBK concrete box with the following external dimensions 1000x1000xh944mm.

ELECTRICAL SPECS

Electrical equipment containment box with IP 66 protection IEC 60 529 and CE70-1 double insulation in thermoplastic material free of halogen self-extinguishing halogen, painted gray RAL 7035 resistant to abnormal heat and fire up to 650 ° (incandescent wire test according to IEC 60 695-2 -1).

Elastomer sealing gaskets for dimensional stability in continuous operation from -20 ° to + 85 °.

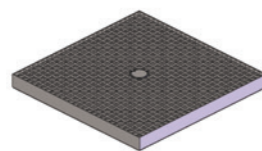
Resistance to chemical agents (water, saline solutions, acids, bases and oils) and atmospheric agents.

Reference standards: CEI 23-48 and IEC 60 670.

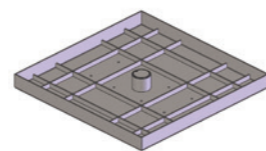
This system is suitable for manufacturing equipment and for places with a higher risk of fire (IEC 64-8 / 7).

- AVAILABLE EQUIPMENTS AT PAGE 63 -

AVAILABLE COVERS

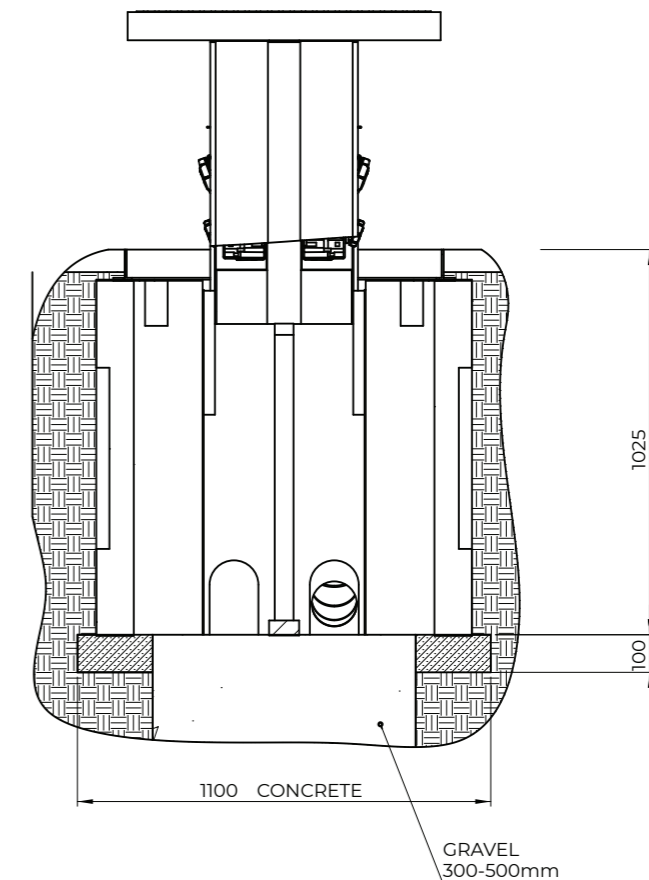
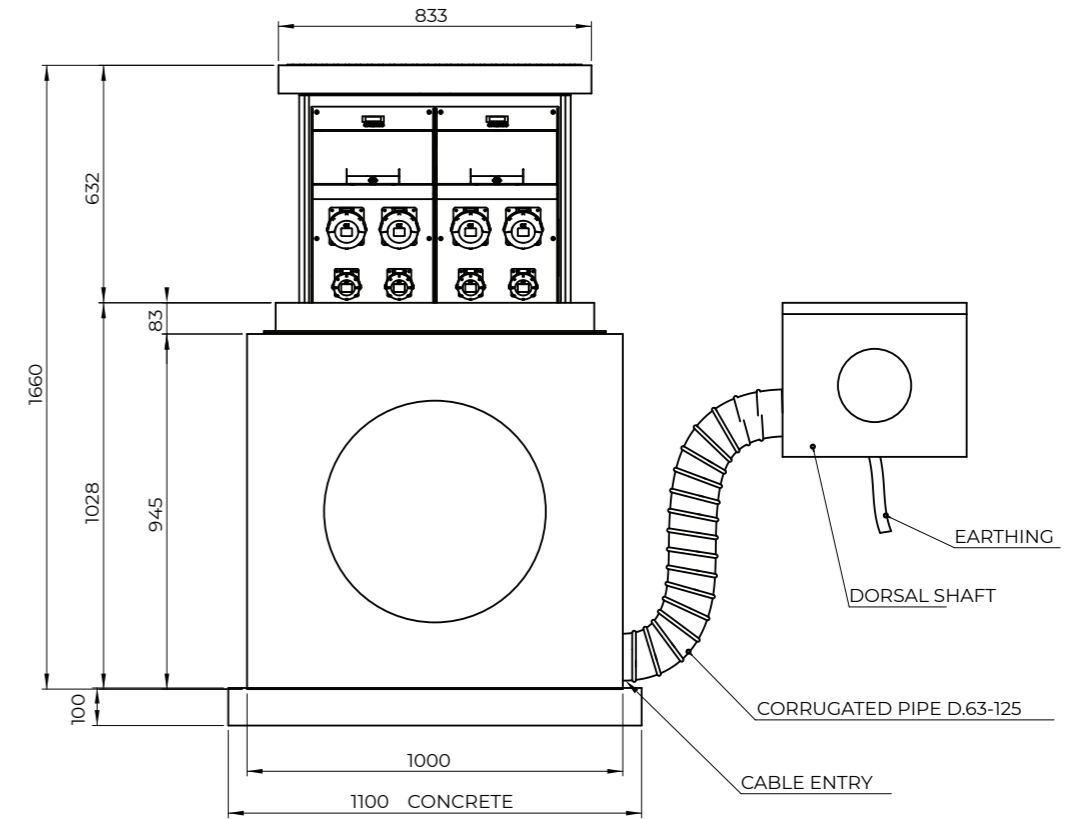


400kN STAINLESS STEEL* COVER with ALMOND FINISH



250kN STAINLESS STEEL* COVER to FILL

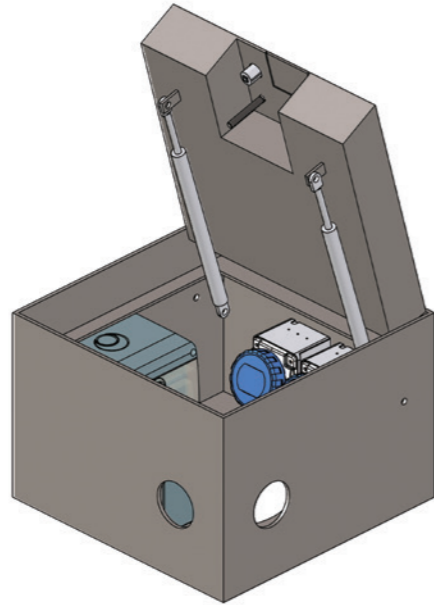
Technical drawing (example)



* electro pickling and electropolishing with passivation of stainless steel treatment to finish and clean the covers from welding marks

FLOOR BOX

3030



MECHANICAL SPECS

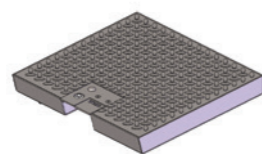
Retractable power tower, model FLOORBOX 3030 from the "Urban Technology" line of New VMR S.r.l., for the distribution of energy and other services, entirely made of AISI304 stainless steel with its cover completed with cable outlet to allow to use the unit with its cover closed. Semiautomatic lifting with release key and gas rams: the opening is eased by gas actuator and a pivot partially removable from the lid surface; the closing is guaranteed by a AISI304 stainless steel bronzed bayonet lock, operated by its square key. Dimensions 300x300mm with variable height from h250mm.

ELECTRICAL SPECS

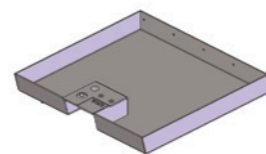
Electrical equipment containment box with IP 66 protection IEC 60 529 and CE70-1 double insulation in thermoplastic material free of halogen self-extinguishing halogen, painted gray RAL 7035 resistant to abnormal heat and fire up to 650 ° (incandescent wire test according to IEC 60 695-2 -1). Elastomer sealing gaskets for dimensional stability in continuous operation from -20 ° to + 85 °. Resistance to chemical agents (water, saline solutions, acids, bases and oils) and atmospheric agents. Reference standards: CEI 23-48 and IEC 60 670. This system is suitable for manufacturing equipment and for places with a higher risk of fire (IEC 64-8 / 7).

- EQUIPMENTS ON REQUEST -

AVAILABLE COVERS



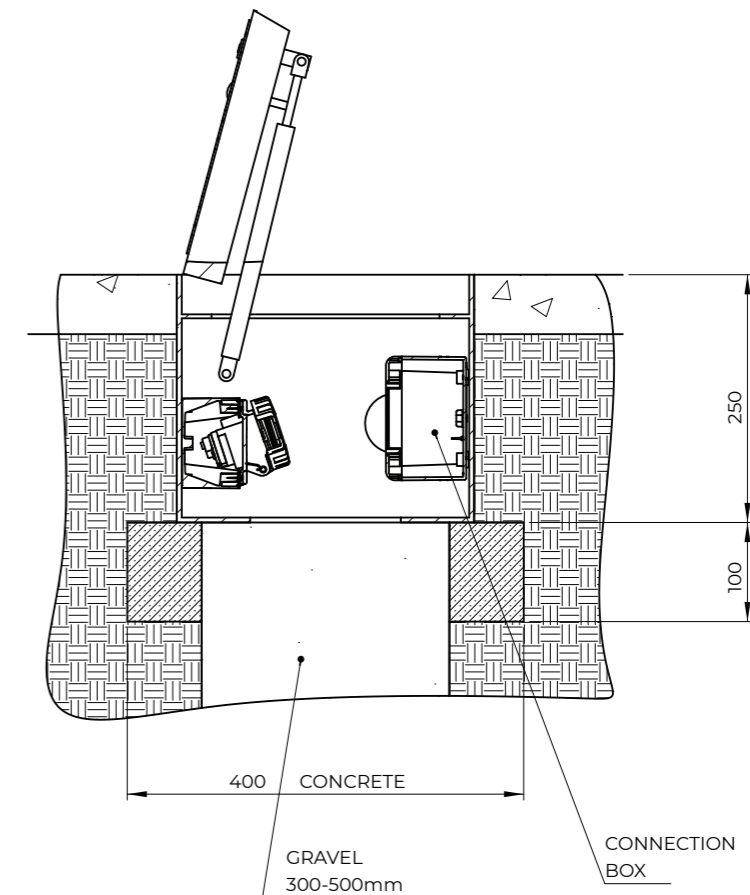
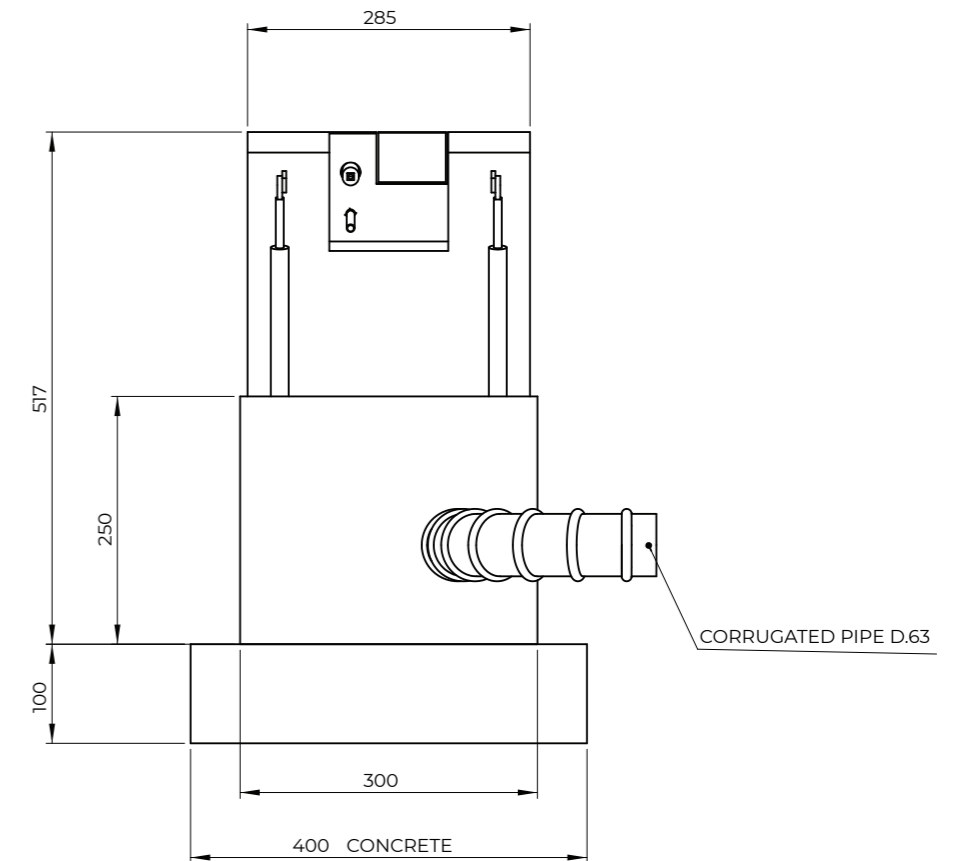
400kN STAINLESS STEEL* COVER with ALMOND FINISH



250kN STAINLESS STEEL* COVER to FILL

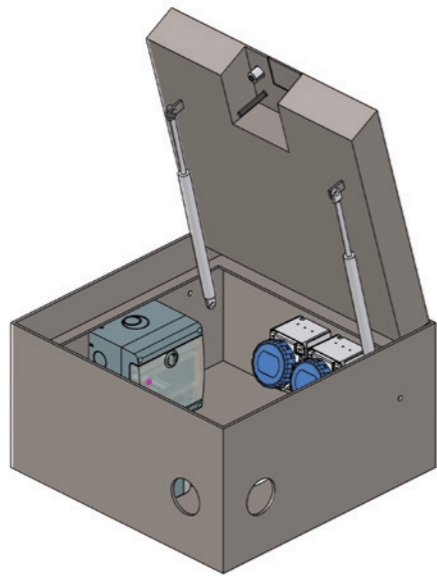
* electro pickling and electropolishing with passivation of stainless steel treatment to finish and clean the covers from welding marks

Technical drawing (example)



FLOOR BOX

4040



MECHANICAL SPECS

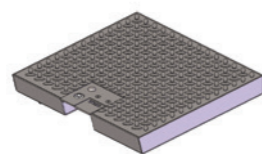
Retractable power tower, model FLOORBOX 4040 from the "Urban Technology" line of New VMR S.r.l., for the distribution of energy and other services, entirely made of AISI304 stainless steel with its cover completed with cable outlet to allow to use the unit with its cover closed. Semiautomatic lifting with release key and gas rams: the opening is eased by gas actuator and a pivot partially removable from the lid surface; the closing is guaranteed by a AISI304 stainless steel bronzed bayonet lock, operated by its square key. Dimensions 400x400mm with variable height from h250mm.

ELECTRICAL SPECS

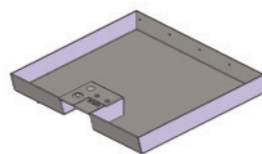
Electrical equipment containment box with IP 66 protection IEC 60 529 and CE70-1 double insulation in thermoplastic material free of halogen self-extinguishing halogen, painted gray RAL 7035 resistant to abnormal heat and fire up to 650 ° (incandescent wire test according to IEC 60 695-2 -1). Elastomer sealing gaskets for dimensional stability in continuous operation from -20 ° to + 85 °. Resistance to chemical agents (water, saline solutions, acids, bases and oils) and atmospheric agents. Reference standards: CEI 23-48 and IEC 60 670. This system is suitable for manufacturing equipment and for places with a higher risk of fire (IEC 64-8 / 7).

- EQUIPMENTS ON REQUEST -

AVAILABLE COVERS



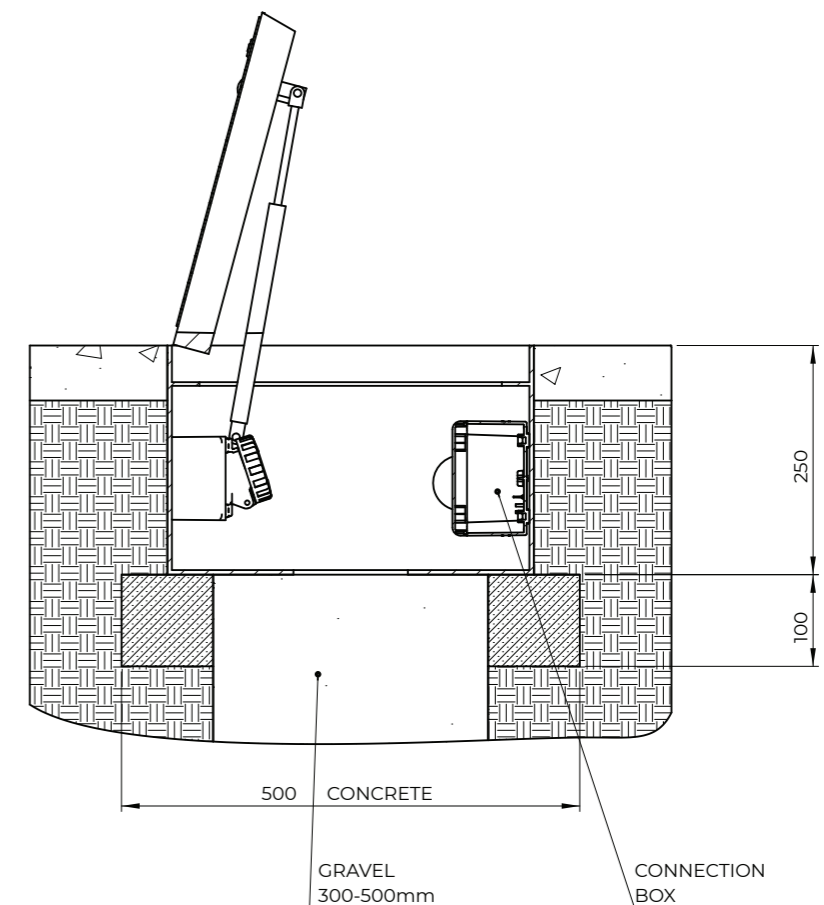
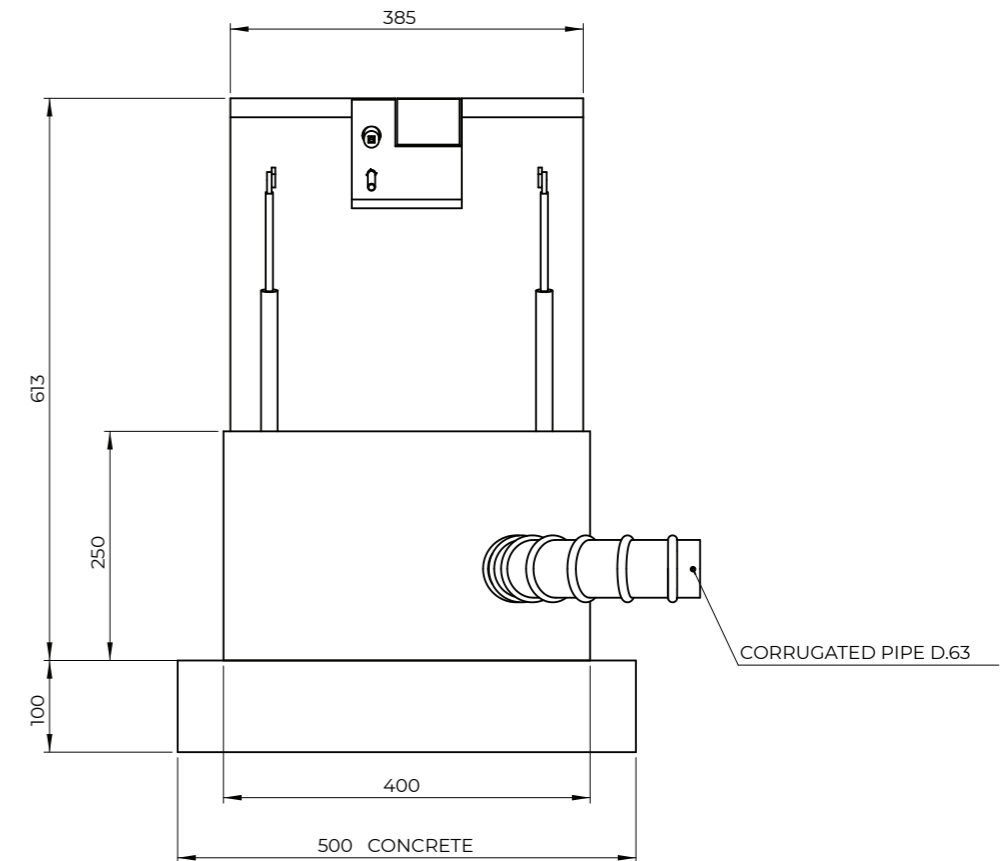
400kN STAINLESS STEEL* COVER with ALMOND FINISH



250kN STAINLESS STEEL* COVER to FILL

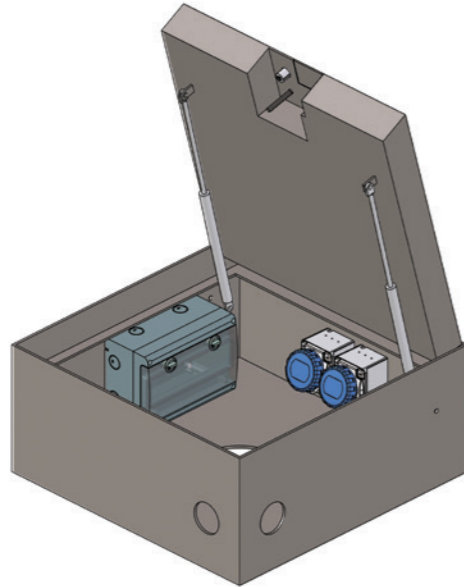
* electro pickling and electropolishing with passivation of stainless steel treatment to finish and clean the covers from welding marks

Technical drawing (example)



FLOOR BOX

5050



MECHANICAL SPECS

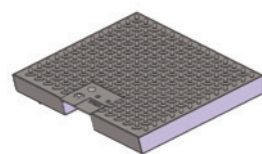
Retractable power tower, model FLOORBOX 4545 from the "Urban Technology" line of New VMR S.r.l., for the distribution of energy and other services, entirely made of AISI304 stainless steel with its cover completed with cable outlet to allow to use the unit with its cover closed. Semiautomatic lifting with release key and gas rams: the opening is eased by a double gas actuator and a pivot partially removable from the lid surface; the closing is guaranteed by a AISI304 stainless steel bronzed bayonet lock, operated by its square key. Dimensions 500x500mm with variable height from h250mm.

ELECTRICAL SPECS

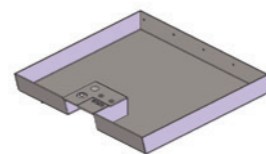
Electrical equipment containment box with IP 66 protection IEC 60 529 and CE70-1 double insulation in thermoplastic material free of halogen self-extinguishing halogen, painted gray RAL 7035 resistant to abnormal heat and fire up to 650 ° (incandescent wire test according to IEC 60 695-2 -1). Elastomer sealing gaskets for dimensional stability in continuous operation from -20 ° to + 85 °. Resistance to chemical agents (water, saline solutions, acids, bases and oils) and atmospheric agents. Reference standards: CEI 23-48 and IEC 60 670. This system is suitable for manufacturing equipment and for places with a higher risk of fire (IEC 64-8 / 7).

- EQUIPMENTS ON REQUEST -

AVAILABLE COVERS



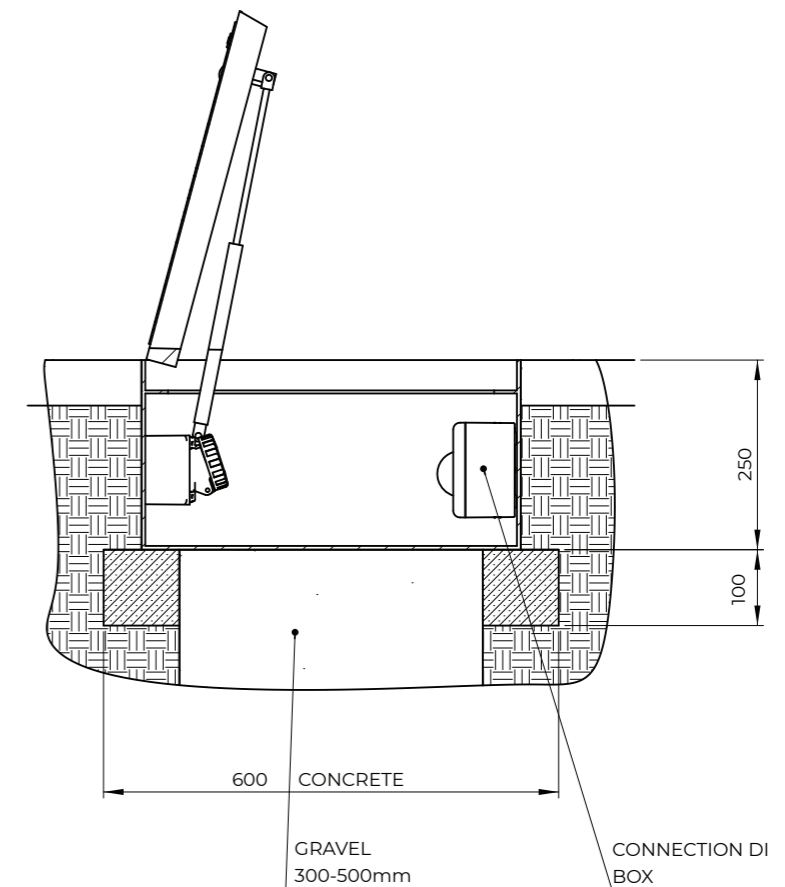
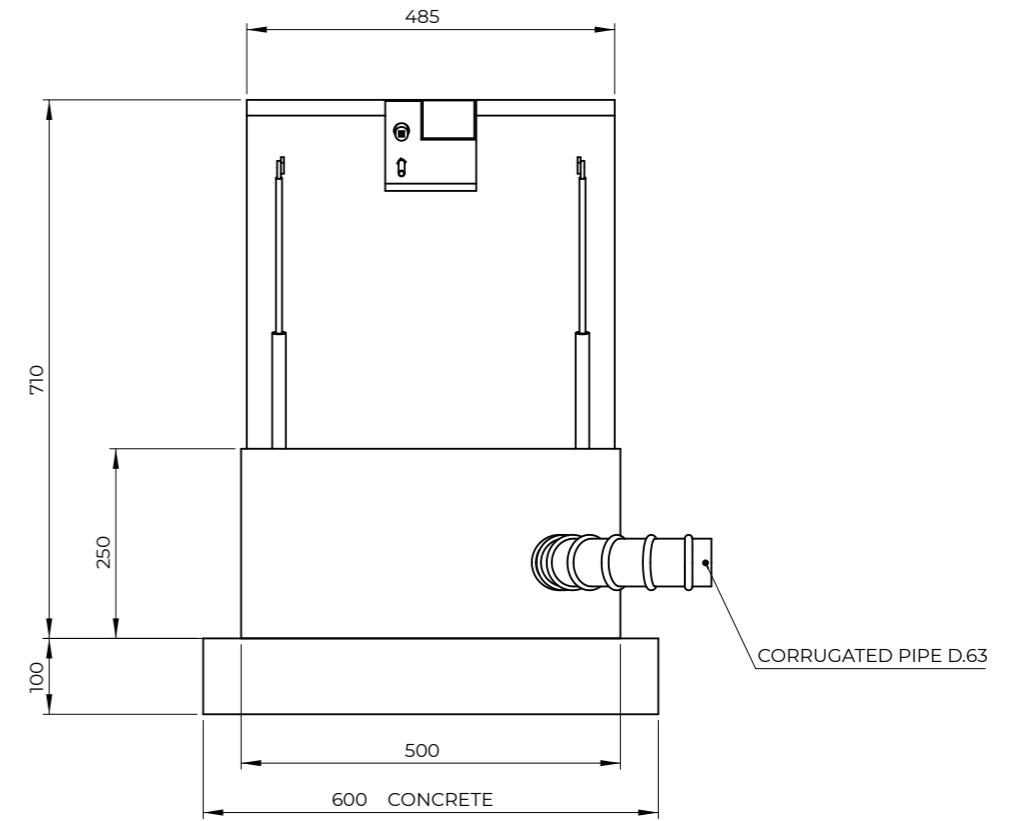
400kN STAINLESS STEEL* COVER with ALMOND FINISH



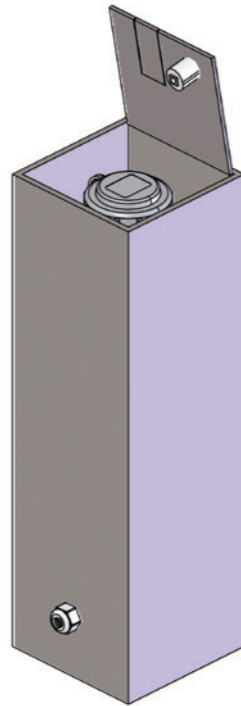
250kN STAINLESS STEEL* COVER to FILL

* electro pickling and electropolishing with passivation of stainless steel treatment to finish and clean the covers from welding marks

Technical drawing (example)



FLY BOX



MECHANICAL SPECS

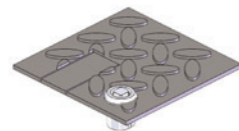
distribution of energy and other services, entirely made of AISI304 stainless steel with its 125kN stainless steel* cover with almond finish completed with cable outlet to allow to use the unit with its cover closed. Manual lifting with its square key and closing guaranteed by a AISI304 stainless steel bronzed bayonet lock. Dimensions 120x120mm, h400mm.

ELECTRICAL SPECS

IP67/IP68 SCHUKO fly socket, compliant with the declaration of conformity VDE and EAC (SCHUKO socket) and with the declaration of conformity IEC 60309-2, IEC 60309-1, IEC 60529, IK08 EN 62262, 850 °C IEC 60695-2-1 (industrial sockets).
 IP68 fly SCHUKO socket - Completed with bayonet lock lid attached by a strap, for cables up to 3 x 2.5 mm², up to H07RN-F.
 Standard contact and connection with screw terminals.
 IP67/IP68 industrial fly sockets - Cable gland and external cable grip.
 Highly heat resistant contact carrier and connection with screw terminals.

- AVAILABLE EQUIPMENTS AT PAGE 64 -

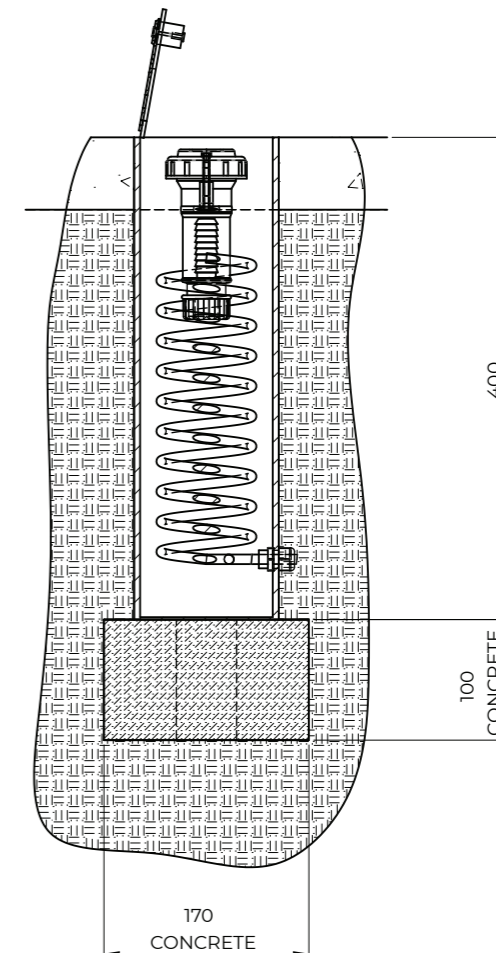
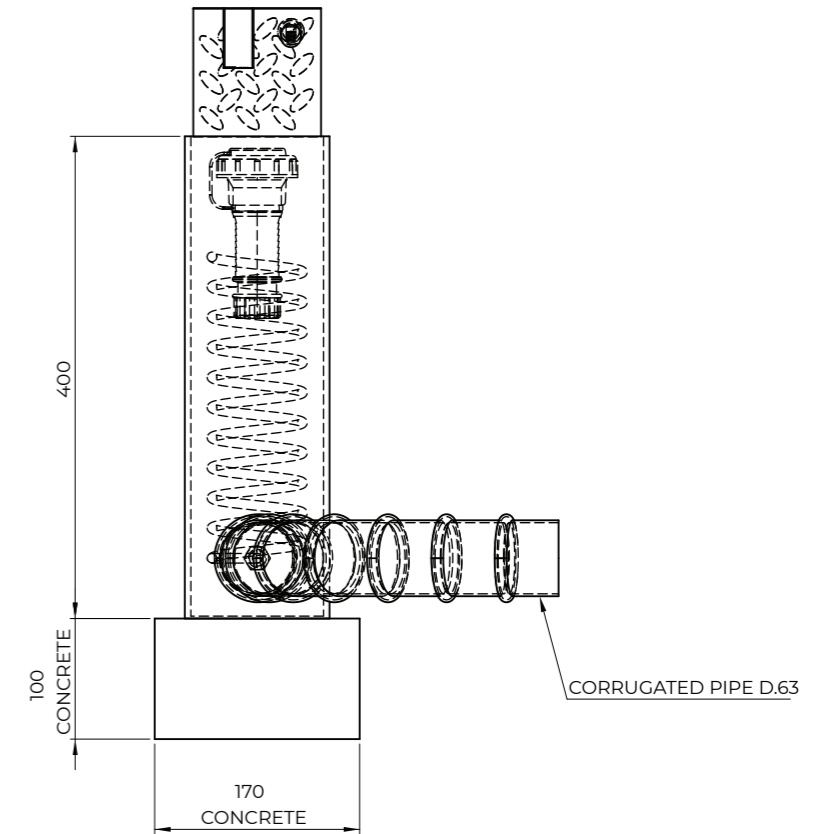
AVAILABLE COVERS

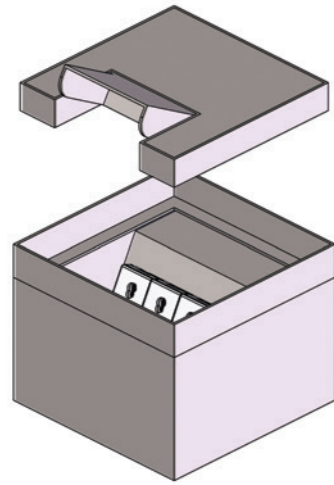


**125kN STAINLESS STEEL*
COVER with ALMOND
FINISH**

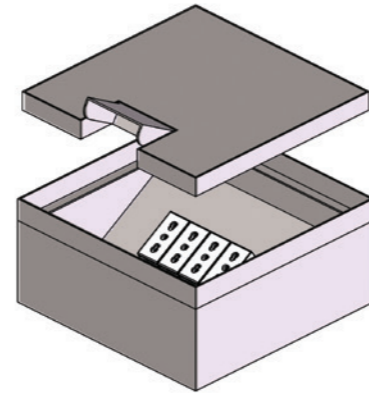
* electro pickling and electropolishing with passivation of stainless steel treatment to finish and clean the covers from welding marks

Technical drawing (example)

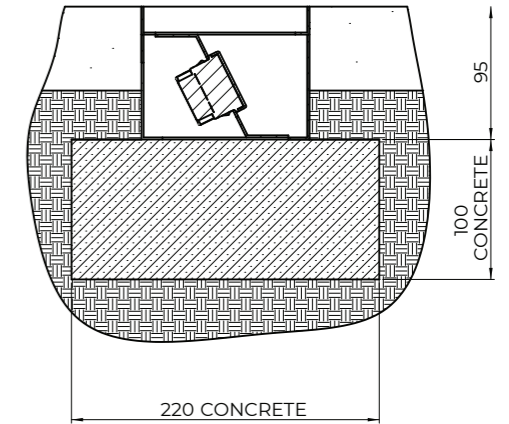
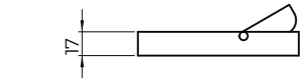
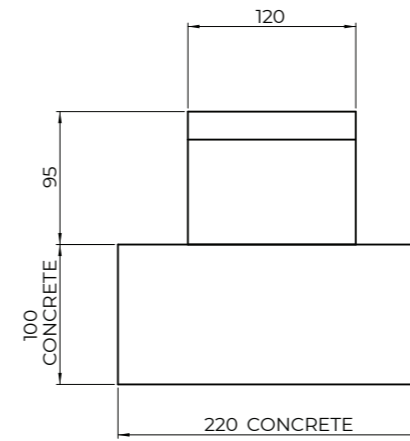




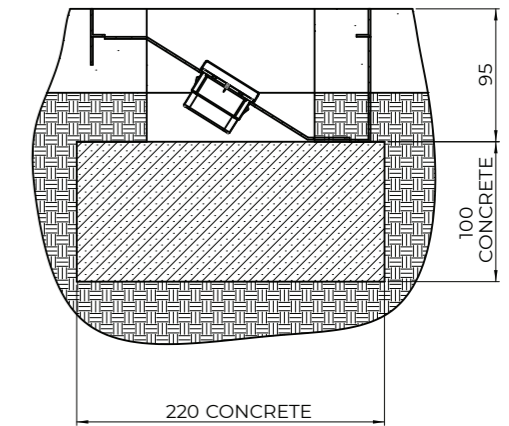
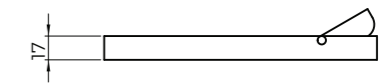
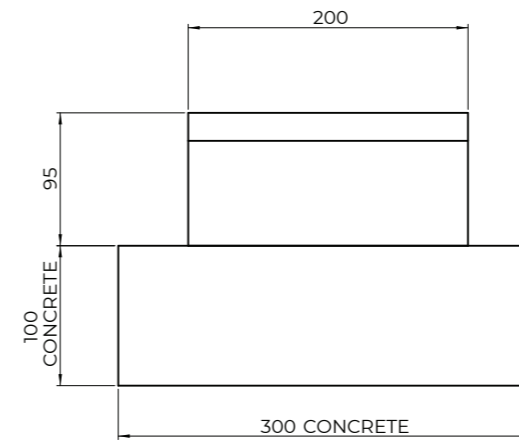
mod. 120x120



mod. 200x200



mod. 120x120



mod. 200x200

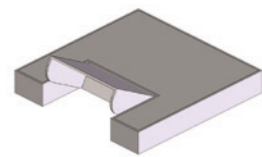
MECHANICAL SPECS

Retractable power tower, model VM HOME from the "Urban Technology" line of New VMR S.r.l., for the distribution of energy and other services, entirely made of AISI304 stainless steel with its 120kN stainless steel* cover to fill or satin finish, completed with cable outlet.

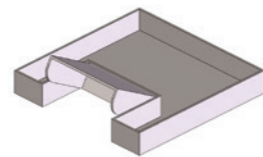
Manual lifting of the cover.
Dimensions 120x120mm or 200x200mm and h120mm.

- AVAILABLE EQUIPMENTS AT PAGE 65 -

AVAILABLE COVERS



120kN STAINLESS STEEL*
COVER SATIN FINISH

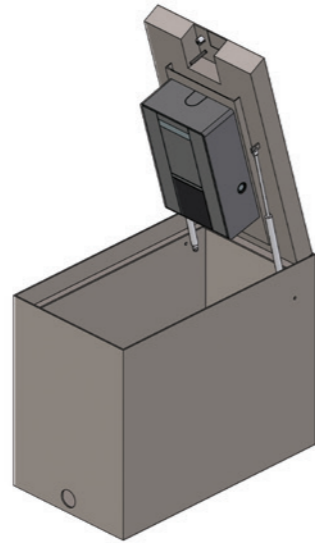


120kN STAINLESS
STEEL* COVER to FILL

* electro pickling and electropolishing with passivation of stainless steel treatment to finish and clean the covers from welding marks

VM02

7040 WALL BOX



MECHANICAL SPECS

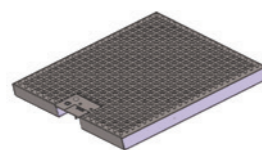
Retractable power tower, model VM02 7050 from the "Urban Technology" line of New VMR S.r.l., for the distribution of energy and other services, entirely made of AISI304 stainless steel with its cover completed with cable outlet to allow to use the unit with its cover closed. Semiautomatic lifting with release key and gas rams: the opening is eased by a double gas actuator and a pivot partially removable from the lid surface; the closing is guaranteed by a AISI304 stainless steel bronzed bayonet lock, operated by its square key. Dimensions: 416x750xh715mm.

ELECTRICAL SPECS

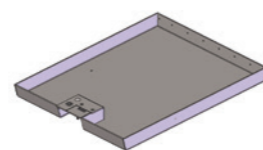
Smart Wall Box in Halogen-free engineering plastics, for wall assembly, equipped with display and Type 2 socket 1P+N+PE 32A 230 Vac 7.4 kW, fitted with safety shutters in compliance with standard IEC/EN 62196-2, equipped with Energy Meter and Residual Current Circuit Breaker Overcurrent Protection (RCBO). Suitable for electric vehicle charging in «mode 3» in compliance with standard EN61851-1. Version for domestic charging in absolute safety, featuring Power Management function, allowing the vehicle charging current to be adapted based on the user's contractual power and the current absorbed by domestic loads, thus preventing the main meter from unexpectedly tripping. Exclusive design with «dual Feel Sensitive» finish, highly resistant to UV rays, high-level IP54 protection against dust and water. Working frequency 50/60Hz, 230V, GW 650°C, IK08 and with working temperature -30°C/+50°C.

- EQUIPMENTS ON REQUEST -

AVAILABLE COVERS



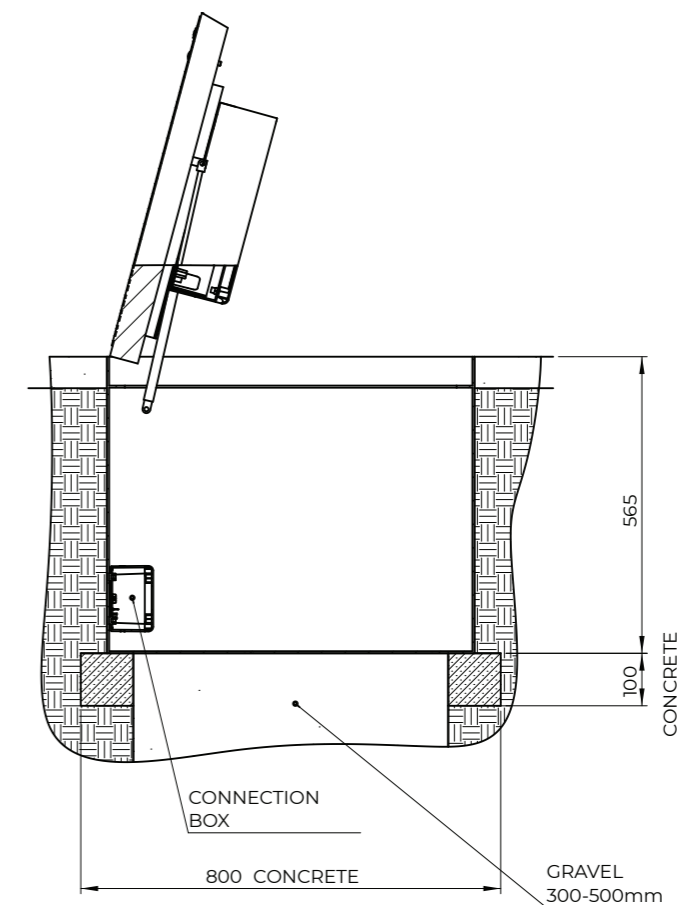
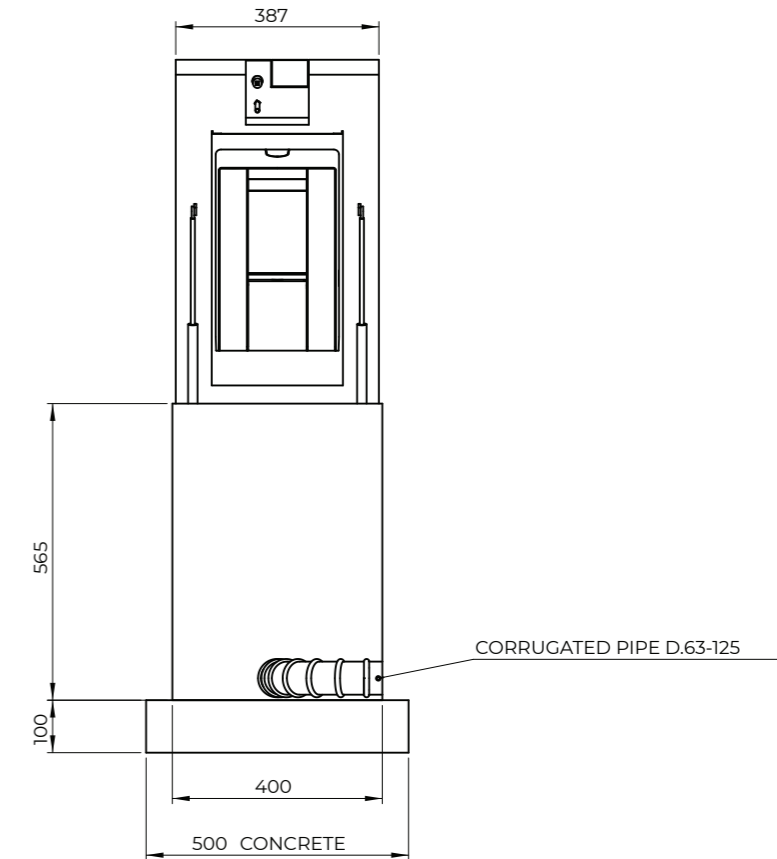
400kN STAINLESS STEEL* COVER with ALMOND FINISH



250kN STAINLESS STEEL* COVER to FILL

* electro pickling and electropolishing with passivation of stainless steel treatment to finish and clean the covers from welding marks

Technical drawing (example)

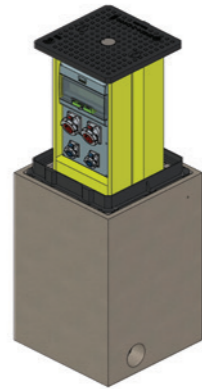


EQUIPMENTS

EXAMPLES
OF ELECTRICAL
CONFIGURATIONS

EQUIPMENTS
IN THERMOPLASTIC CABINET
OR BUTYL RUBBER ON DEMAND

EQUIPMENTS
VM01



SUITABLE FOR
market areas, squares, showrooms,
parks, hangars or hotels

VM01 - A * / **

12 2P+E 16A CEE sockets
12 RCBOs 1P+N 16A 0,03 6KA
01 heating kit + MCB 6A (Lovato)

VM01 - B * / **

06 2P+E 16A CEE sockets
06 RCBOs 1P+N 16A 0,03 6KA
01 3P+N+E 16A CEE socket
01 RCBO 4x16A 0,03 6KA
01 3P+N+E 32A CEE socket
01 RCBO 4x32A 0,03 6KA
01 heating kit

VM01 - C * / **

10 2P+E 16A CEE sockets
10 RCBOs 1P+N 16A 0,03 6KA
02 2P+E 32A CEE sockets
02 RCBOs 1P+N 32A 0,03 6KA
01 heating kit

VM01 - D * / **

04 2P+E 16A CEE sockets
04 RCBOs 1P+N 16A 0,03 6KA
02 2P+E 32A CEE sockets
02 RCBOs 1P+N 32A 0,03 6KA
01 3P+N+E 63A CEE socket
01 RCBO 4x63A 0,03 6KA
01 heating kit

VM01 - E * / **

04 2P+E 16A CEE sockets
04 RCBOs 1P+N 16A 0,03 6KA
01 3P+N+E 16A CEE socket
01 RCBO 4x16A 0,03 6KA
01 3P+N+E 32A CEE socket
01 RCBO 4x32A 0,03 6KA
01 3P+N+E 63A CEE socket
01 RCBO 4x63A 0,03 6KA
01 heating kit

VM01 - F * / **

03 2P+E 16A CEE sockets
03 RCBOs 1P+N 16A 0,03 6KA
01 3P+N+E 63A CEE socket
01 RCBO 4x63A 0,03 6KA
01 3P+N+E 125A CEE socket
01 RCBO 4x125A 0,03 25KA
01 heating kit

VM01 - G * / **

06 2P+E 16A CEE sockets
06 RCBOs 1P+N 16A 0,03 6KA
01 3P+N+E 125A CEE socket
01 RCBO 4x125A 0,03 25KA
01 heating kit

VM01 - H * / **

08 2P+E 16A interlocked sockets
08 RCBOs 1P+N 16A 0,03 6KA
01 heating kit

VM01 - I * / **

04 2P+E 16A interlocked sockets
04 RCBOs 1P+N 16A 0,03 6KA
04 3P+N+E 16A interlocked sockets
04 RCBOs 4x16A 0,03 6KA
01 heating kit

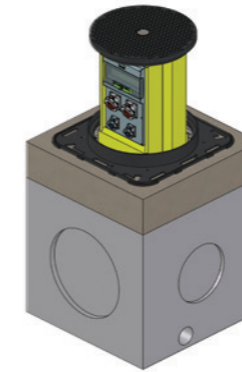
VM01 - L * / **

04 2P+E 16A interlocked sockets
04 RCBOs 1P+N 16A 0,03 6KA
02 3P+N+E 16A interlocked sockets
02 RCBOs 4x16A 0,03 6KA
01 3P+N+E 63A interlocked socket
01 RCBO 4x63A 0,03 6KA
01 heating kit

VM01 - M * / **

04 2P+E 16A interlocked sockets
04 RCBOs 1P+N 16A 0,03 6KA
01 3P+N+E 125A socket with electrical interlock
01 RCBO 4x125A 0,03 25KA
01 heating kit

EQUIPMENTS
VM01
F900



SUITABLE FOR
civil and military hangars

VM01 F900 - A

01 compressed air 1/2" outlet
with safety connection

01 earthing ground system
with bayonet connection
(Marechal code 4-2401-050 CS2 IP45
1P 150A <50V
+ Marechal code 4-2301-450 CS2)

VM01 F900 - B

01 interlocked socket 150A
03 voltage indicator lights
01 2P+E 16A CEE socket
01 3P+N+E 125A CEE socket
01 3P+N+E 32A CEE socket
02 civil sockets in IP67 cabinet
01 16A 28V socket with transformer
01 compressed air 1/2" outlet
02 RJ45 cat.06 data sockets + FO cabinet
02 Emergency switch buttons (one
place on each side)
01 bayonet connection 1P 150A socket

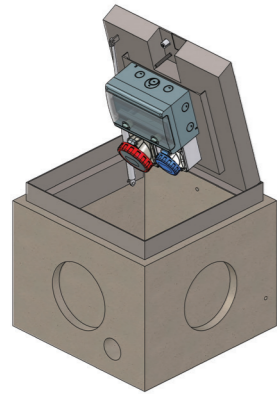
VM01 F900 - C

01 interlocked 3P+N+E 63A
04 2P+E 16A interlocked sockets
04 SCHUKO sockets
06 RCBOs 1P+N 16A 0,03 6KA
02 24V sockets with transformer
01 earthing
03 compressed air 1/2" outlets
01 vacuum outlet
63A **PROTECTION** UPSTREAM

**WITHOUT EQUIPMENT- ONLY STAINLESS STEEL PLATE TO MOUNT THE EQUIPMENT
OPTIONAL ACCESSORIES**

* 01 or 02 ball valves 1/2" per water or compressed air, on sides
** 01 or 02 RJ45 cat.06 data sockets, on sides

WITHOUT EQUIPMENT - ONLY STAINLESS STEEL PLATE TO MOUNT THE EQUIPMENT



SUITABLE FOR

market areas, squares, showrooms, parks,
hangars or hotels

VM02 4040 - A *

01 2P+E 16A CEE socket
01 RCBO 1P+N 16A 0,03 6KA
01 3P+N+E 32A CEE socket
01 RCBO 4x32A 0,03 6KA
01 heating kit

VM02 4040 - B *

02 2P+E 16A CEE sockets
02 RCBOs 1P+N 16A 0,03 6KA
01 3P+N+E 16A CEE socket
01 RCBO 4x16A 0,03 6KA
01 heating kit

VM02 4040 - C *

03 2P+E 16A CEE socket
03 RCBOs 1P+N 16A 0,03 6KA
01 heating kit

VM02 4040 - D *

01 2P+E 32A CEE socket
01 RCBO 1P+N 32A 0,03 6KA
01 heating kit

VM02 4040 - E *

01 3P+N+E 32A CEE socket
01 RCBO 4x32A 0,03 6KA
01 heating kit

VM02 4040 - F *

02 2P+E 16A interlocked sockets
with fuse
01 3P+N+E 16A interlocked socket
with fuse
01 3P+N+E 32A interlocked socket
with fuse

VM02 4040 - G *

03 2P+E 16A interlocked sockets
with fuse
01 3P+N+E 16A interlocked socket
with fuse

VM02 4040 - H *

04 2P+E 16A interlocked sockets
with fuse

VM02 4040 - I

04 ball valves 1/2"

VM02 4040 - L

02 ball valves 1/2"
02 water meters

SUITABLE FOR

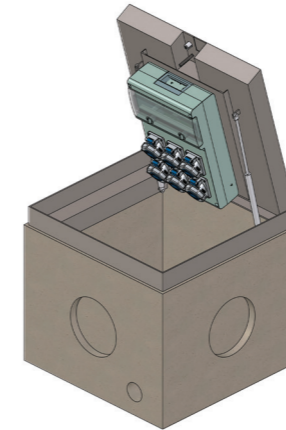
indoors, private areas or showrooms

VM02 4040 - M *

04 civil sockets
04 SCHUKO sockets
01 heating kit

WITHOUT EQUIPMENT - ONLY STAINLESS STEEL PLATE TO MOUNT THE EQUIPMENT
OPTIONAL ACCESSORIES

* 01 ball valve 1/2" mounted on the concrete



SUITABLE FOR

market areas, squares, showrooms, parks,
hangars or hotels

VM02 5050 - A *

04 2P+E 16A CEE sockets
04 RCBOs 1P+N 16A 0,03 6KA
01 ball valve 1/2" for water or
compressed air
01 heating kit

VM02 5050 - B *

06 2P+E 16A CEE sockets
06 RCBOs 1P+N 16A 0,03 6KA
01 heating kit

VM02 5050 - C *

02 2P+E 16A CEE sockets
02 RCBOs 1P+N 16A 0,03 6KA
01 3P+N+E 16A CEE socket
01 RCBO 4x16A 0,03 6KA
01 3P+N+E 32A CEE socket
01 RCBO 4x32A 0,03 6KA
01 heating kit

VM02 5050 - D *

03 2P+E 16A CEE sockets
03 RCBOs 1P+N 16A 0,03 6KA
01 3P+N+E 16A CEE socket
01 RCBO 4x16A 0,03 6KA
01 heating kit

WITHOUT EQUIPMENT - ONLY STAINLESS STEEL PLATE TO MOUNT THE EQUIPMENT
OPTIONAL ACCESSORIES

* 01 ball valve 1/2" mounted on the concrete

VM02 5050 - E *

02 2P+E 16A CEE sockets
02 RCBOs 1P+N 16A 0,03 6KA
02 3P+N+E 16A CEE sockets
02 RCBOs 4x16A 0,03 6KA
01 heating kit

VM02 5050 - F *

03 2P+E 16A CEE sockets
03 RCBOs 1P+N 16A 0,03 6KA
01 3P+N+E 32A CEE socket
01 RCBO 4x32A 0,03 6KA
01 heating kit

VM02 5050 - G *

02 2P+E 16A CEE sockets
02 RCBOs 1P+N 16A 0,03 6KA
02 3P+N+E 32A CEE sockets
02 RCBOs 4x32A 0,03 6KA
01 heating kit

VM02 5050 - H *

01 3P+N+E 63A socket with electrical
interlock
01 RCBO 4x63A 0,03 6KA
01 heating kit

VM02 5050 - I *

02 2P+E 16A interlocked sockets
02 RCBOs 1P+N 16A 0,03 6KA
01 3P+N+E 16A interlocked socket
01 RCBO 4x16A 0,03 6KA
01 heating kit

VM02 5050 - L *

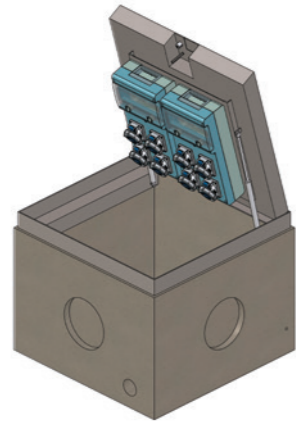
02 2P+E 16A interlocked sockets
02 RCBOs 1P+N 16A 0,03 6KA
01 3P+N+E 32A interlocked socket
01 RCBO 4x32A 0,03 6KA
01 heating kit

SUITABLE FOR

indoors, private areas or showrooms

VM02 5050 - M *

04 2P+E 16A interlocked sockets
04 RCBOs 1P+N 16A 0,03 6KA
01 heating kit



SUITABLE FOR

market areas, squares, showrooms, parks,
hangars or hotels

VM02 6060 - A *

08 2P+E 16A CEE sockets
08 RCBOs 1P+N 16A 0,03 6KA
01 heating kit

VM02 6060 - B *

04 2P+E 16A CEE sockets
04 RCBOs 1P+N 16A 0,03 6KA
01 3P+N+E 16A CEE socket
01 RCBO 4x16A 0,03 6KA
01 3P+N+E 32A CEE socket
01 RCBO 4x32A 0,03 6KA
01 heating kit

VM02 6060 - C *

02 2P+E 16A CEE sockets
02 RCBOs 1P+N 16A 0,03 6KA
01 3P+N+E 16A CEE socket
01 RCBO 4x16A 0,03 6KA
01 3P+N+E 63A interlocked socket
01 RCBO 4x63A 0,03 6KA
01 heating kit

VM02 6060 - D *

02 2P+E 16A CEE sockets
02 RCBOs 1P+N 16A 0,03 6KA
01 3P+N+E 32A CEE socket
01 RCBO 4x32A 0,03 6KA
01 3P+N+E 63A interlocked socket
01 RCBO 4x63A 0,03 6KA
01 heating kit

VM02 6060 - E *

04 2P+E 16A CEE sockets
04 RCBOs 1P+N 16A 0,03 6KA
01 3P+N+E 63A interlocked socket
01 RCBO 4x63A 0,03 6KA
01 heating kit

VM02 6060 - F *

06 2P+E 16A CEE sockets
06 RCBOs 1P+N 16A 0,03 6KA
01 3P+N+E 16A CEE socket
01 RCBO 4x16A 0,03 6KA
01 heating kit

VM02 6060 - G *

06 2P+E 16A CEE sockets
06 RCBOs 1P+N 16A 0,03 6KA
01 3P+N+E 32A CEE socket
01 RCBO 4x32A 0,03 6KA
01 heating kit

VM02 6060 - H *

06 2P+E 16A interlocked sockets
06 RCBOs 1P+N 16A 0,03 6KA
01 heating kit

VM02 6060 - I *

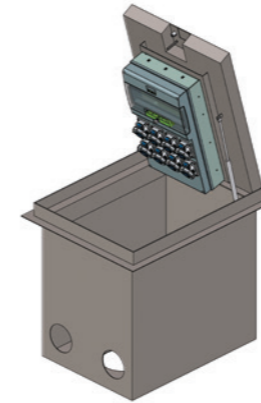
04 2P+E 16A interlocked sockets
04 RCBOs 1P+N 16A 0,03 6KA
02 3P+N+E 16A interlocked sockets
02 RCBOs 4x16A 0,03 6KA
01 heating kit

VM02 6060 - L *

04 2P+E 16A interlocked sockets
04 RCBOs 1P+N 16A 0,03 6KA
02 3P+N+E 32A interlocked sockets
02 RCBOs 4x32A 0,03 6KA
01 heating kit

VM02 6060 - M *

02 2P+E 16A interlocked sockets
02 RCBOs 1P+N 16A 0,03 6KA
01 3P+N+E 16A interlocked socket
01 RCBO 4x16A 0,03 6KA
01 3P+N+E 63A interlocked socket
01 RCBO 4x63A 0,03 6KA
01 heating kit



SUITABLE FOR

market areas, squares, showrooms, parks,
hangars or hotels

VM02 7050 - A *

08 2P+E 16A CEE sockets
08 RCBOs 1P+N 16A 0,03 6KA
01 heating kit

VM02 7050 - B *

04 2P+E 16A CEE sockets
04 RCBOs 1P+N 16A 0,03 6KA
01 3P+N+E 16A CEE socket
01 RCBO 4x16A 0,03 6KA
01 3P+N+E 32A CEE socket
01 RCBO 4x32A 0,03 6KA
01 heating kit

VM02 7050 - C *

02 2P+E 16A CEE sockets
02 RCBOs 1P+N 16A 0,03 6KA
01 3P+N+E 16A CEE socket
01 RCBO 4x16A 0,03 6KA
01 3P+N+E 63A interlocked socket
01 RCBO 4x63A 0,03 6KA
01 heating kit

VM02 7050 - D *

02 2P+E 16A CEE sockets
02 RCBOs 1P+N 16A 0,03 6KA
01 3P+N+E 32A CEE socket
01 RCBO 4x32A 0,03 6KA
01 3P+N+E 63A interlocked socket
01 RCBO 4x63A 0,03 6KA
01 heating kit

VM02 7050 - E *

03 2P+E 16A CEE sockets
03 RCBOs 1P+N 16A 0,03 6KA
01 3P+N+E 63A interlocked socket
01 RCBO 4x63A 0,03 6KA
01 heating kit

VM02 7050 - F *

02 3P+N+E 63A interlocked sockets
02 RCBOs 4x63A 0,03 6KA
01 heating kit

VM02 7050 - G *

01 3P+N+E 125A interlocked socket
01 RCBO 4x125A 0,03 25KA
01 heating kit

VM02 7050 - H *

04 3P+N+E 16A interlocked sockets
04 RCBOs 4x16A 0,03 6KA
01 heating kit

VM02 7050 - I *

02 3P+N+E 32A interlocked sockets
02 RCBOs 4x32A 0,03 6KA
01 heating kit

VM02 7050 - L *

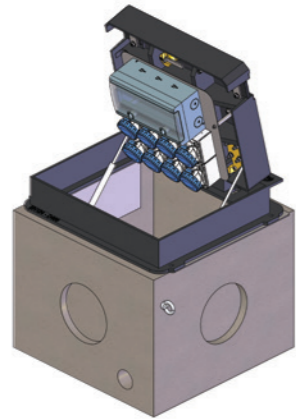
04 2P+E 16A interlocked sockets
04 RCBOs 1P+N 16A 0,03 6KA
01 heating kit

WITHOUT EQUIPMENT - ONLY STAINLESS STEEL PLATE TO MOUNT THE EQUIPMENT
OPTIONAL ACCESSORIES

* 01 or 02 ball valve 1/2" mounted on the concrete

WITHOUT EQUIPMENT - ONLY STAINLESS STEEL PLATE TO MOUNT THE EQUIPMENT
OPTIONAL ACCESSORIES

* 01 or 02 ball valve 1/2" mounted on the concrete



SUITABLE FOR
market areas, squares, showrooms, parks,
hangars or hotels

VM03- A *

04 2P+E 16A CEE sockets
04 RCBOs 1P+N 16A 0,03 6KA
01 ball valve 1/2" for water or
compressed air
01 heating kit

VM03 - B *

06 2P+E 16A CEE sockets
06 RCBOs 1P+N 16A 0,03 6KA
01 heating kit

VM03 - C *

02 2P+E 16A CEE sockets
02 RCBOs 1P+N 16A 0,03 6KA
01 3P+N+E 16A CEE socket
01 RCBO 4x16A 0,03 6KA
01 3P+N+E 32A CEE socket
01 RCBO 4x32A 0,03 6KA
01 heating kit

VM03 - D *

03 2P+E 16A CEE sockets
03 RCBOs 1P+N 16A 0,03 6KA
01 3P+N+E 16A CEE socket
01 RCBO 4x16A 0,03 6KA
01 heating kit

VM03 - E *

02 2P+E 16A CEE sockets
02 RCBOs 1P+N 16A 0,03 6KA
02 3P+N+E 16A CEE sockets
02 RCBOs 4x16A 0,03 6KA
01 heating kit

VM03 - F *

03 2P+E 16A CEE sockets
03 RCBOs 1P+N 16A 0,03 6KA
01 3P+N+E 32A CEE socket
01 RCBO 4x32A 0,03 6KA
01 heating kit

VM03 - G *

02 2P+E 16A CEE sockets
02 RCBOs 1P+N 16A 0,03 6KA
02 3P+N+E 32A CEE sockets
02 RCBOs 4x32A 0,03 6KA
01 heating kit

VM03 - H *

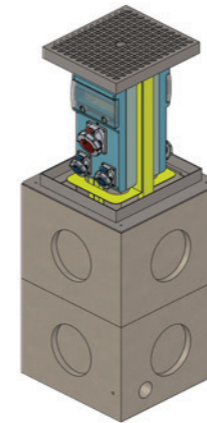
01 3P+N+E 63A socket with electrical
interlock
01 RCBO 4x63A 0,03 6KA
01 heating kit

VM03 - I *

02 2P+E 16A interlocked sockets
02 RCBOs 1P+N 16A 0,03 6KA
01 3P+N+E 16A interlocked socket
01 RCBO 4x16A 0,03 6KA
01 heating kit

VM03 - L *

02 2P+E 16A interlocked sockets
02 RCBOs 1P+N 16A 0,03 6KA
01 3P+N+E 32A interlocked socket
01 RCBO 4x32A 0,03 6KA
01 heating kit



SUITABLE FOR
market areas, squares, showrooms, parks,
hangars or hotels

VM04 - A * / **

08 2P+E 16A CEE sockets
08 RCBOs 1P+N 16A 0,03 6KA
01 heating kit

VM04 - B **

04 2P+E 16A CEE sockets
04 RCBOs 1P+N 16A 0,03 6KA
02 ball valves 1/2" for water or
compressed air
01 heating kit

VM04 - C **

06 2P+E 16A CEE sockets
06 RCBOs 1P+N 16A 0,03 6KA
01 ball valve 1/2" for water or
compressed air
01 heating kit

VM04 - D * / **

04 2P+E 16A CEE sockets
04 RCBOs 1P+N 16A 0,03 6KA
01 3P+N+E 16A CEE socket
01 RCBO 4x16A 0,03 6KA
01 3P+N+E 32A CEE socket
01 RCBO 4x32A 0,03 6KA
01 heating kit

VM04 - E * / **

06 2P+E 16A CEE sockets
06 RCBOs 1P+N 16A 0,03 6KA
02 2P+E 32A CEE sockets
02 RCBOs 1P+N 32A 0,03 6KA
01 heating kit

VM04 - F * / **

01 3P+N+E 63A CEE socket
01 RCBO 4x63A 0,03 6KA
01 heating kit

VM04 - G * / **

02 2P+E 16A CEE sockets
02 RCBOs 1P+N 16A 0,03 6KA
02 3P+N+E 16A CEE sockets
02 RCBOs 4x16A 0,03 6KA
02 3P+N+E 32A CEE sockets
02 RCBOs 4x32A 0,03 6KA
01 heating kit

VM04 - H * / **

02 3P+N+E 16A interlocked sockets
02 RCBOs 4x16A 0,03 6KA
02 3P+N+E 32A interlocked sockets
02 RCBOs 4x32A 0,03 6KA
01 heating kit

VM04 - I * / **

04 2P+E 16A interlocked sockets
04 RCBOs 1P+N 16A 0,03 6KA
01 heating kit

VM04 - L * / **

02 2P+E 16A interlocked sockets
02 RCBOs 1P+N 16A 0,03 6KA
01 3P+N+E 16A interlocked socket
01 RCBOs 4x16A 0,03 6KA
01 3P+N+E 32A interlocked socket
01 RCBOs 4x32A 0,03 6KA
01 heating kit

VM04 - M * / **

02 2P+E 16A interlocked sockets with fuse
01 3P+N+E 16A interlocked socket with fuse
01 3P+N+E 32A interlocked socket with fuse
01 heating kit

**WITHOUT EQUIPMENT - ONLY STAINLESS STEEL PLATE TO MOUNT THE EQUIPMENT
OPTIONAL ACCESSORIES**

* 01 ball valve 1/2" mounted on the concrete

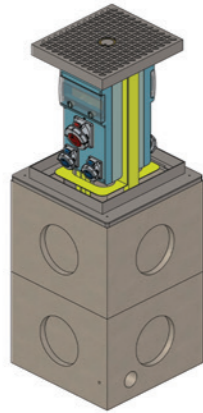
**WITHOUT EQUIPMENT - ONLY STAINLESS STEEL PLATE TO MOUNT THE EQUIPMENT
OPTIONAL ACCESSORIES | TO BE FITTED BY REMOVING SOME SOCKETS FOR THE EQUIPMENTS VM04-A-B-C-D-E-G-H-L-M**

ON THE EMPTY SIDE FOR VM04-F

* 01 or 02 ball valves 1/2" per water or compressed air

** 01 o 02 Sockets dati RJ45 cat.06

EQUIPMENTS
VM05



SUITABLE FOR

market areas, squares, showrooms, parks,
hangars or hotels

VM05 - A * / **

08 2P+E 16A CEE sockets
08 RCBOs 1P+N 16A 0,03 6KA
01 heating kit

VM05 - B **

04 2P+E 16A CEE sockets
04 RCBOs 1P+N 16A 0,03 6KA
02 ball valves 1/2" for water or
compressed air
01 heating kit

VM05 - C **

06 2P+E 16A CEE sockets
06 RCBOs 1P+N 16A 0,03 6KA
01 ball valve 1/2" for water or
compressed air
01 heating kit

VM05 - D * / **

04 2P+E 16A CEE sockets
04 RCBOs 1P+N 16A 0,03 6KA
01 3P+N+E 16A CEE socket
01 RCBO 4x16A 0,03 6KA
01 3P+N+E 32A CEE socket
01 RCBO 4x32A 0,03 6KA
01 heating kit

VM05 - E * / **

06 2P+E 16A CEE sockets
06 RCBOs 1P+N 16A 0,03 6KA
02 2P+E 32A CEE sockets
02 RCBOs 1P+N 32A 0,03 6KA
01 heating kit

VM05 - F * / **

01 3P+N+E 63A CEE socket
01 RCBO 4x63A 0,03 6KA
01 heating kit

VM05 - G * / **

02 2P+E 16A CEE sockets
02 RCBOs 1P+N 16A 0,03 6KA
02 3P+N+E 16A CEE sockets
02 RCBOs 4x16A 0,03 6KA
02 3P+N+E 32A CEE sockets
02 RCBOs 4x32A 0,03 6KA
01 heating kit

VM05 - H * / **

02 3P+N+E 16A interlocked sockets
02 RCBOs 4x16A 0,03 6KA
02 3P+N+E 32A interlocked sockets
02 RCBOs 4x32A 0,03 6KA
01 heating kit

VM05 - I * / **

04 2P+E 16A interlocked sockets
04 RCBOs 1P+N 16A 0,03 6KA
01 heating kit

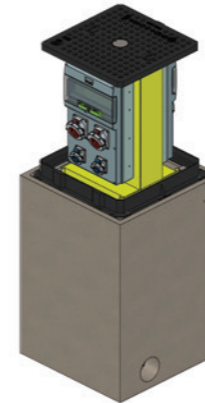
VM05 - L * / **

02 2P+E 16A interlocked sockets
02 RCBOs 1P+N 16A 0,03 6KA
01 3P+N+E 16A interlocked socket
01 RCBOs 4x16A 0,03 6KA
01 3P+N+E 32A interlocked socket
01 RCBOs 4x32A 0,03 6KA
01 heating kit

VM05 - M * / **

02 2P+E 16A interlocked sockets with fuse
01 3P+N+E 16A interlocked socket with fuse
01 3P+N+E 32A interlocked socket with fuse
01 heating kit

EQUIPMENTS
VM06



SUITABLE FOR

market areas, squares, showrooms, parks,
hangars or hotels

VM06 - A * / **

12 2P+E 16A CEE sockets
12 RCBOs 1P+N 16A 0,03 6KA
01 heating kit

VM06 - B * / **

06 2P+E 16A CEE sockets
06 RCBOs 1P+N 16A 0,03 6KA
01 3P+N+E 16A CEE socket
01 RCBO 4x16A 0,03 6KA
01 3P+N+E 32A CEE socket
01 RCBO 4x32A 0,03 6KA
01 heating kit

VM06 - C * / **

10 2P+E 16A CEE sockets
10 RCBOs 1P+N 16A 0,03 6KA
02 2P+E 32A CEE sockets
02 RCBOs 1P+N 32A 0,03 6KA
01 heating kit

VM06 - D * / **

04 2P+E 16A CEE sockets
04 RCBOs 1P+N 16A 0,03 6KA
02 2P+E 32A CEE sockets
02 RCBOs 1P+N 32A 0,03 6KA
01 3P+N+E 63A CEE socket
01 RCBO 4x63A 0,03 6KA
01 heating kit

VM06 - E * / **

04 2P+E 16A CEE sockets
04 RCBOs 1P+N 16A 0,03 6KA
01 3P+N+E 16A CEE socket
01 RCBO 4x16A 0,03 6KA
01 3P+N+E 32A CEE socket
01 RCBO 4x32A 0,03 6KA
01 3P+N+E 63A CEE socket
01 RCBO 4x63A 0,03 6KA
01 heating kit

VM06 - F * / **

06 2P+E 16A CEE sockets
06 RCBOs 1P+N 16A 0,03 6KA
01 3P+N+E 125A CEE socket
01 RCBO 4x125A 0,03 25KA
01 heating kit

VM06 - G * / **

06 2P+E 16A interlocked sockets
06 RCBOs 1P+N 16A 0,03 6KA
01 heating kit

VM06 - H * / **

04 2P+E 16A interlocked sockets
04 RCBOs 1P+N 16A 0,03 6KA
02 3P+N+E 16A interlocked sockets
02 RCBOs 4x16A 0,03 6KA
01 heating kit

VM06 - I * / **

02 2P+E 16A interlocked sockets
02 RCBOs 1P+N 16A 0,03 6KA
02 3P+N+E 16A interlocked sockets
02 RCBOs 4x16A 0,03 6KA
01 3P+N+E 63A socket with electrical interlock
01 RCBO 4x63A 0,03 6KA
01 heating kit

WITHOUT EQUIPMENT - ONLY STAINLESS STEEL PLATE TO MOUNT THE EQUIPMENT
OPTIONAL ACCESSORIES | TO BE FITTED BY REMOVING SOME SOCKETS FOR THE EQUIPMENTS VM05-A-B-C-D-E-G-H-L-M

ON THE EMPTY SIDE FOR VM05-F

* 01 or 02 ball valves 1/2" per water or compressed air

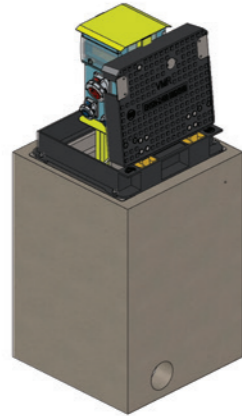
** 01 or 02 Sockets dati RJ45 cat.06

WITHOUT EQUIPMENT - ONLY STAINLESS STEEL PLATE TO MOUNT THE EQUIPMENT
OPTIONAL ACCESSORIES | TO BE FITTED BY REMOVING SOME SOCKETS OF THE EQUIPMENTS BELOW

* 01 or 02 ball valves 1/2" per water or compressed air, on sides

** 01 or 02 RJ45 cat.06 data sockets, on sides

EQUIPMENTS
VM07



SUITABLE FOR

market areas, squares, showrooms, parks,
hangars or hotels

VM07 - A * / **

08 2P+E 16A CEE sockets
08 RCBOs 1P+N 16A 0,03 6KA
01 heating kit

VM07 - B **

04 2P+E 16A CEE sockets
04 RCBOs 1P+N 16A 0,03 6KA
02 ball valves 1/2" for water or
compressed air
01 heating kit

VM07 - C **

06 2P+E 16A CEE sockets
06 RCBOs 1P+N 16A 0,03 6KA
01 ball valve 1/2" for water or
compressed air
01 heating kit

VM07 - D * / **

04 2P+E 16A CEE sockets
04 RCBOs 1P+N 16A 0,03 6KA
01 3P+N+E 16A CEE socket
01 RCBO 4x16A 0,03 6KA
01 3P+N+E 32A CEE socket
01 RCBO 4x32A 0,03 6KA
01 heating kit

VM07 - E * / **

06 2P+E 16A CEE sockets
06 RCBOs 1P+N 16A 0,03 6KA
02 2P+E 32A CEE sockets
02 RCBOs 1P+N 32A 0,03 6KA
01 heating kit

VM07 - F * / **

01 3P+N+E 63A CEE socket
01 RCBO 4x63A 0,03 6KA
01 heating kit

VM07 - G * / **

02 2P+E 16A CEE sockets
02 RCBOs 1P+N 16A 0,03 6KA
02 3P+N+E 16A CEE sockets
02 RCBOs 4x16A 0,03 6KA
02 3P+N+E 32A CEE sockets
02 RCBOs 4x32A 0,03 6KA
01 heating kit

VM07 - H * / **

02 3P+N+E 16A interlocked sockets
02 RCBOs 4x16A 0,03 6KA
02 3P+N+E 32A interlocked sockets
02 RCBOs 4x32A 0,03 6KA
01 heating kit

VM07 - I * / **

04 2P+E 16A interlocked sockets
04 RCBOs 1P+N 16A 0,03 6KA
01 heating kit

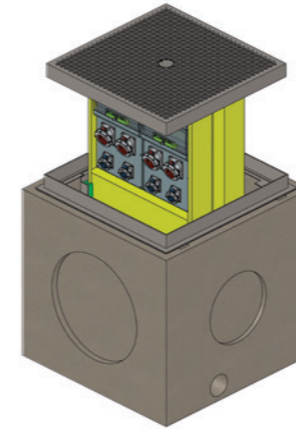
VM07 - L * / **

02 2P+E 16A interlocked sockets
02 RCBOs 1P+N 16A 0,03 6KA
01 3P+N+E 16A interlocked socket
01 RCBOs 4x16A 0,03 6KA
01 3P+N+E 32A interlocked socket
01 RCBOs 4x32A 0,03 6KA
01 heating kit

VM07 - M * / **

02 2P+E 16A interlocked sockets with fuse
01 3P+N+E 16A interlocked socket with fuse
01 3P+N+E 32A interlocked socket with fuse
01 heating kit

EQUIPMENTS
VM08



SUITABLE FOR

market areas, squares, showrooms, parks,
hangars or hotels

VM08 - A * / **

32 2P+E 16A CEE sockets
32 RCBOs 1P+N 16A 0,03 6KA
01 heating kit

VM08 - B * / **

24 2P+E 16A CEE sockets
24 RCBOs 1P+N 16A 0,03 6KA
01 heating kit

VM08 - C **

12 2P+E 16A CEE sockets
12 RCBOs 1P+N 16A 0,03 6KA
02 3P+N+E 16A CEE sockets
02 RCBOs 4x16A 0,03 6KA
02 3P+N+E 32A CEE sockets
02 RCBOs 4x32A 0,03 6KA
01 heating kit

VM08 - D * / **

20 2P+E 16A CEE sockets
20 RCBOs 1P+N 16A 0,03 6KA
04 2P+E 32A CEE sockets
04 RCBOs 1P+N 32A 0,03 6KA
01 heating kit

VM08 - E * / **

08 2P+E 16A CEE sockets
08 RCBOs 1P+N 16A 0,03 6KA
04 2P+E 32A CEE sockets
04 RCBOs 1P+N 32A 0,03 6KA
02 3P+N+E 63A CEE sockets
02 RCBOs 4x63A 0,03 6KA
01 heating kit

VM08 - F * / **

08 2P+E 16A CEE sockets
08 RCBOs 1P+N 16A 0,03 6KA
02 3P+N+E 16A CEE sockets
02 RCBOs 4x16A 0,03 6KA
02 3P+N+E 32A CEE sockets
02 RCBOs 4x32A 0,03 6KA
02 3P+N+E 63A CEE sockets
02 RCBOs 4x63A 0,03 6KA
01 heating kit

VM08 - G * / **

06 2P+E 16A CEE sockets
06 RCBOs 1P+N 16A 0,03 6KA
02 3P+N+E 63A CEE sockets
02 RCBOs 4x63A 0,03 6KA
02 3P+N+E 125A CEE sockets
02 RCBOs 4x125A 0,03 25KA
01 heating kit

VM08 - H * / **

12 2P+E 16A CEE sockets
12 RCBOs 1P+N 16A 0,03 6KA
02 3P+N+E 125A CEE sockets
02 RCBOs 4x125A 0,03 25KA
01 heating kit

VM08 - I * / **

16 2P+E 16A interlocked sockets
16 RCBOs 1P+N 16A 0,03 6KA
01 heating kit

VM08 - L * / **

08 2P+E 16A interlocked sockets
08 RCBOs 1P+N 16A 0,03 6KA
08 3P+N+E 16A interlocked sockets
08 RCBOs 4x16A 0,03 6KA
01 heating kit

VM08 - M * / **

08 2P+E 16A interlocked sockets
08 RCBOs 1P+N 16A 0,03 6KA
04 3P+N+E 16A interlocked sockets
04 RCBOs 4x16A 0,03 6KA
01 3P+N+E 63A interlocked sockets
01 RCBOs 4x63A 0,03 6KA
01 heating kit

VM08 - N * / **

08 2P+E 16A interlocked sockets
08 RCBOs 1P+N 16A 0,03 6KA
02 3P+N+E 125A sockets with
electrical interlock
01 RCBO 4x125A 0,03 25KA
01 heating kit

WITHOUT EQUIPMENT - ONLY STAINLESS STEEL PLATE TO MOUNT THE EQUIPMENT
OPTIONAL ACCESSORIES | TO BE FITTED BY REMOVING SOME SOCKETS FOR THE EQUIPMENTS VM07-A-B-C-D-E-G-H-L-M

ON THE EMPTY SIDE FOR VM07-F

* 01 or 02 ball valves 1/2" per water or compressed air

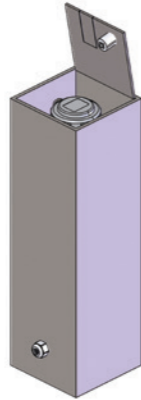
** 01 or 02 Sockets dati RJ45 cat.06

WITHOUT EQUIPMENT - ONLY STAINLESS STEEL PLATE TO MOUNT THE EQUIPMENT
OPTIONAL ACCESSORIES

* 01 or 02 ball valves 1/2" per water or compressed air, on sides

** 01 or 02 RJ45 cat.06 data sockets, on sides

EQUIPMENTS
FLY BOX



SUITABLE FOR
indoors, both private
and showrooms or porches

FLY BOX - A

01 SCHUKO fly socket

FLY BOX - B

01 2P+E fly socket

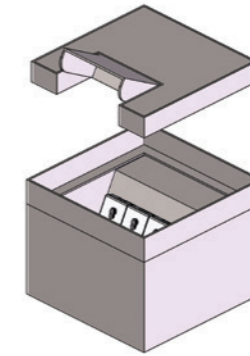
FLY BOX - C

01 3P+N+E 16A fly socket

FLY BOX - D

01 3P+N+E 32A fly socket

EQUIPMENTS
VM HOME
120



SUITABLE FOR
both private and showrooms

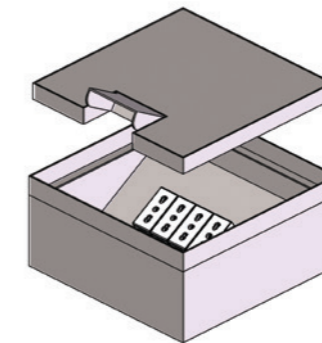
VM HOME - A *

02 SCHUKO sockets

VM HOME - B *

02 civil sockets

EQUIPAGGIAMENTI
VM HOME
200



SUITABLE FOR
both private and showrooms

VM HOME - C *

04 SCHUKO sockets

VM HOME - D *

04 civil sockets

WITHOUT EQUIPMENT

OPTIONAL ACCESSORIES

REMOVING 1 OR 2 SOCKETS FROM THE EQUIPMENT

* 01 (for VM HOME 120) or 02 (for VM HOME 200)

RJ45 cat.06 data sockets

01 TV connector

PREPAID SYSTEM
WITH
CONTROL TOTEM

NEW VMR S.R.L.

can integrate to its retractable power towers
a prepaid system
BASED ON RECHARGEABLE BADGE CARDS;

THE SYSTEM IS COMPLETED WITH THE CONTROL TOTEM UNIT,

which allows to enable/disable the outlets of each retractable power tower
and remotely to change the fees and monitor the consumptions.

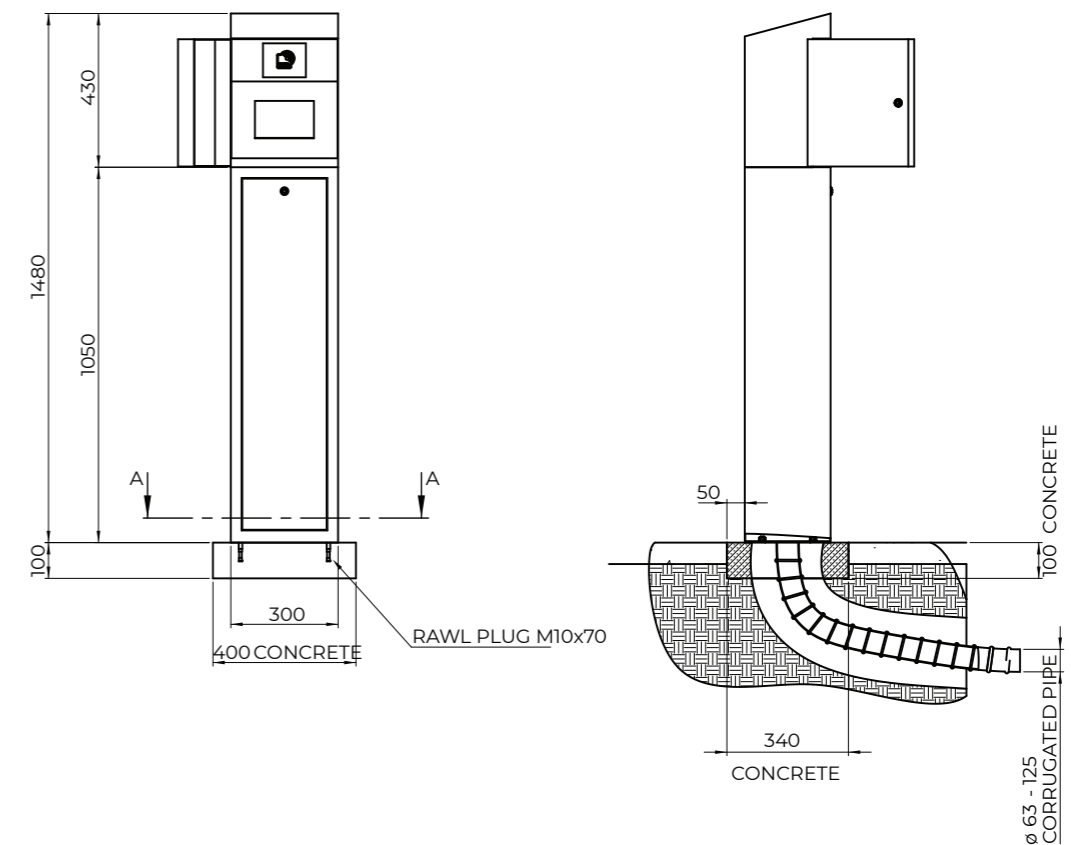
The system will be completed with the retractable power towers, each connected
by BUS network cables to the Control Totem,
core of the system and that has the following functions:

01

For the owner it is the instrument to control the consumptions
and change the fees remotely from the office;
Control Totem is connected to the Internet network
of the plant by BUS cables

02

For the final users it is the instrument to gain access
to the outlets and pay just
what it has been consumed by using the BADGE card;
thanks to the touch screen mounted
on the Control Totem
is possible to select the retractable power tower
and the desired outlets and, once finished,
it is possible to disable the outlets
and check the credit left on the BADGE card
corresponding to how much it has been consumed



AVAILABLE FINISH AND COLOURS

AISI 304/316L Stainless steel, brushed or mirror finish
 AISI 304/316L Stainless steel painted RAL colours and with airbrushed logos on demand

PREPAID SYSTEM WITH CONTROL TOTEM SPECS

Prepaid system

WITH RECHARGEABLE BADGE CARDS
AND CONTROL TOTEM BY NEW VMR S.r.l.,

useful to remotely monitor the consumptions
and change the fees of the plant from the office placed locally
and completed with desk RFID reader,
credit-management software and BADGE cards.

CONTROL TOTEM UNIT OF THE URBAN TECHNOLOGY LINE BY NEW VMR S.r.l.

made of AISI304 stainless steel
(AISI316L on demand and if installed in sea areas),
completed with RFID reader and touch screen

to select the retractable power towers and the desired outlets.
Hidden panel with control unit box and PC server module.

To be connected to the power alimentation and to the Internet network on site by BUS cables.
Variable dimensions according to the size of the plant it has to control.

EXTRAS AND OPTIONAL DEVICES

REMOTE SW LICENSE

license that allows to remotely monitor the consumptions
and change the fees from devices not connected to the Internet network Socketsnt on site.

WALL CASH

AISI304 stainless steel, or AISI316L on demand,
wall cash box to recharge the BADGE cards with coins or banknotes.
Completed with RFID reader and microSD slot
to be used to control that the money inside corresponding
to the import recorded in the microSD.

1000	1001	1002	1003	1004	1005	1006	1007
1011	1012	1013	1014	1015	1016	1017	1018
1019	1020	1021	1023	1024	1027	10028	10032
1033	1034	2000	2001	2002	2003	2004	2008
2009	2010	2011	2012	3000	3001	3002	3003
3004	3005	3007	3009	3011	3012	3013	3014
3015	3016	3017	3018	3020	3022	3027	3031
4001	4002	4003	4004	4005	4006	4007	4008
4009	5000	5001	5002	5003	5004	5005	5007
5008	5009	5010	5011	5012	5013	5014	5015
5017	5018	5019	5020	5021	5022	5023	5024
6000	6001	6002	6003	6004	6005	6006	6007
6008	6009	6010	6011	6012	6013	6014	6015
6016	6017	6018	6019	6020	6021	6022	6024
6025	6026	6027	6028	6029	6032	6033	6034
7000	7001	7001	7002	7003	7004	7005	7006
7008	7009	7010	7011	7012	7013	7015	7016
7021	7022	7023	7024	7026	7030	7031	7032
7033	7034	7035	7036	7037	7038	7039	7040
7042	7043	7044	8000	8001	8002	8003	8004
8007	8008	8011	8012	8014	8015	8016	8017
8019	8022	8023	8024	8025	8028	9001	9002
9003	9004	9005	9010	9011	9016	9017	9018

The images are solely intended to represent the range of available finishes.
Colour variations between the printed version and real sample are therefore possible.



WWW.VMRSRL.COM

NEW VMR S.R.L.

VIA LARIO 31, 22060 CANTÙ (CO) ITALY

+39 031 704673 | 031 7090081

INFO@VMRSRL.COM

P.IVA 03230340139